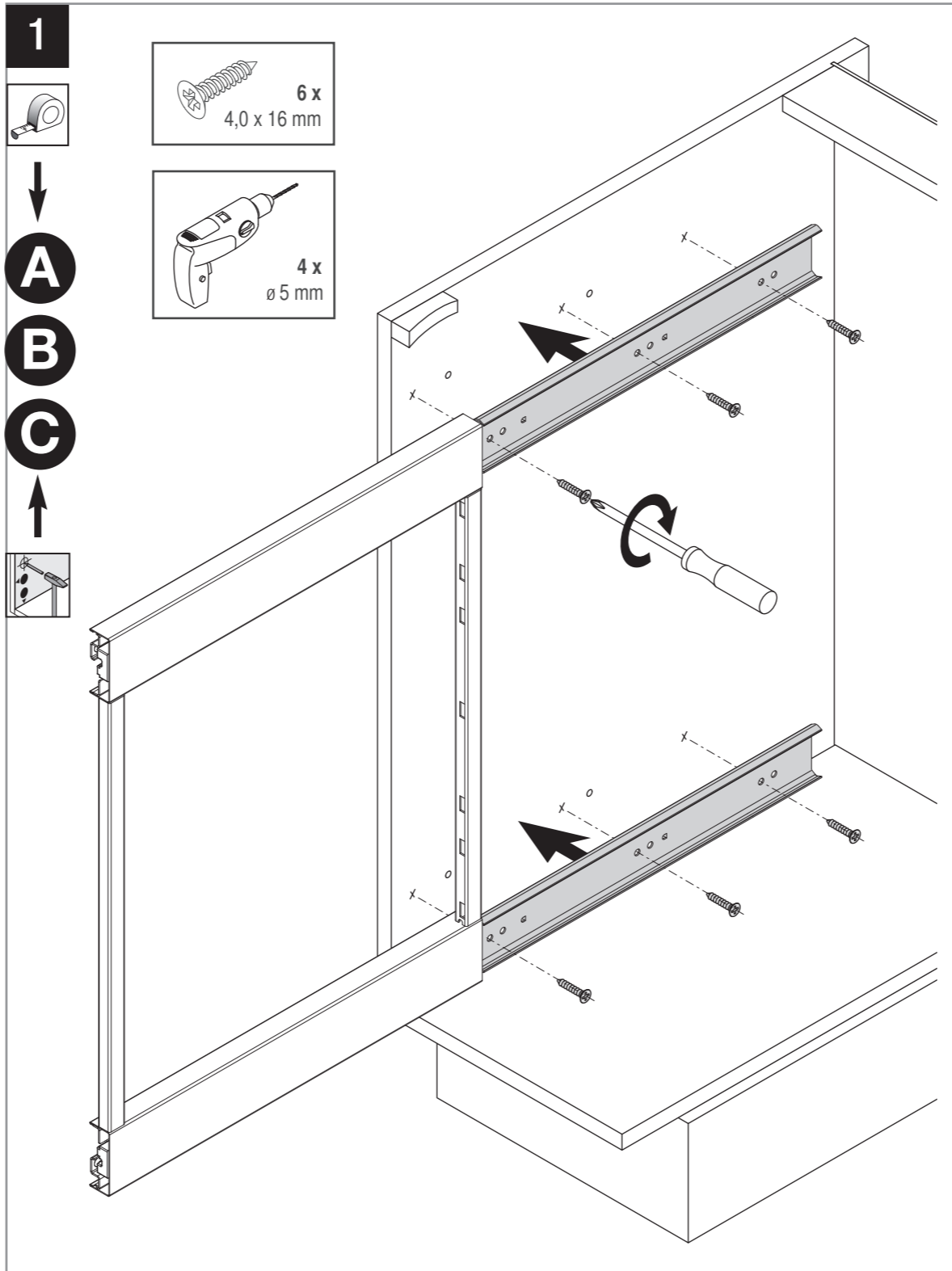
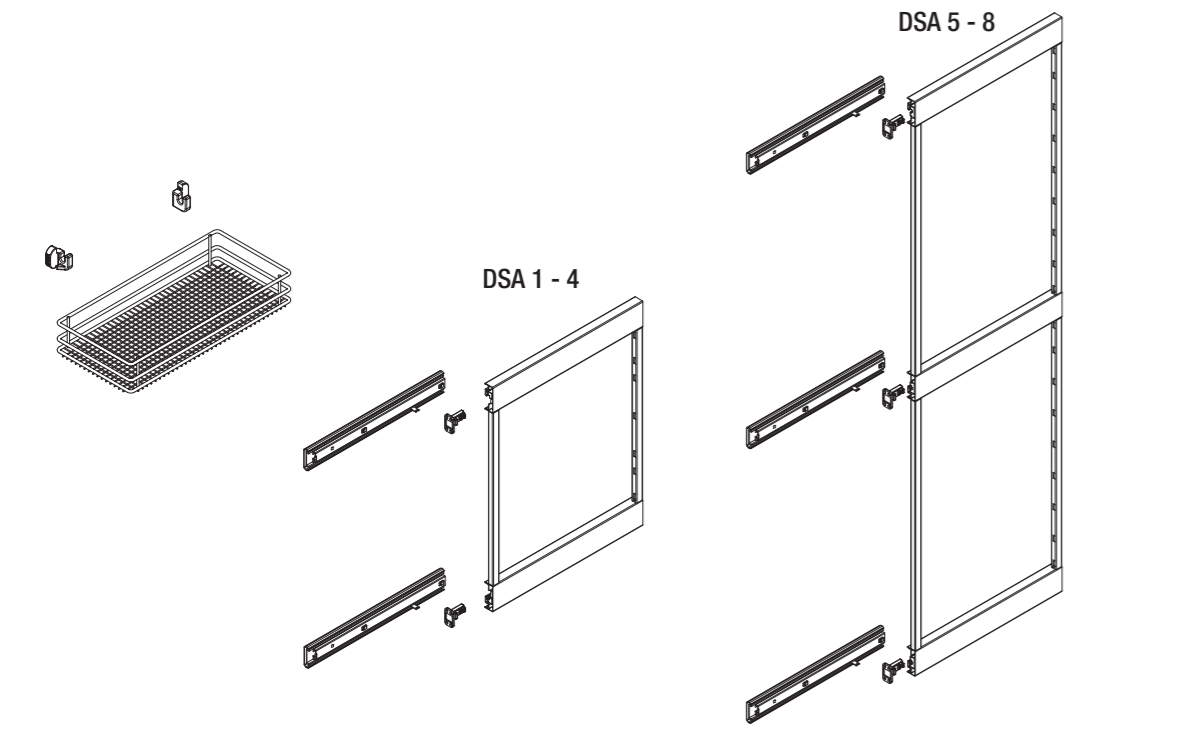
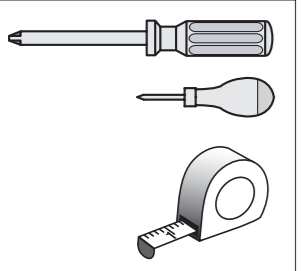
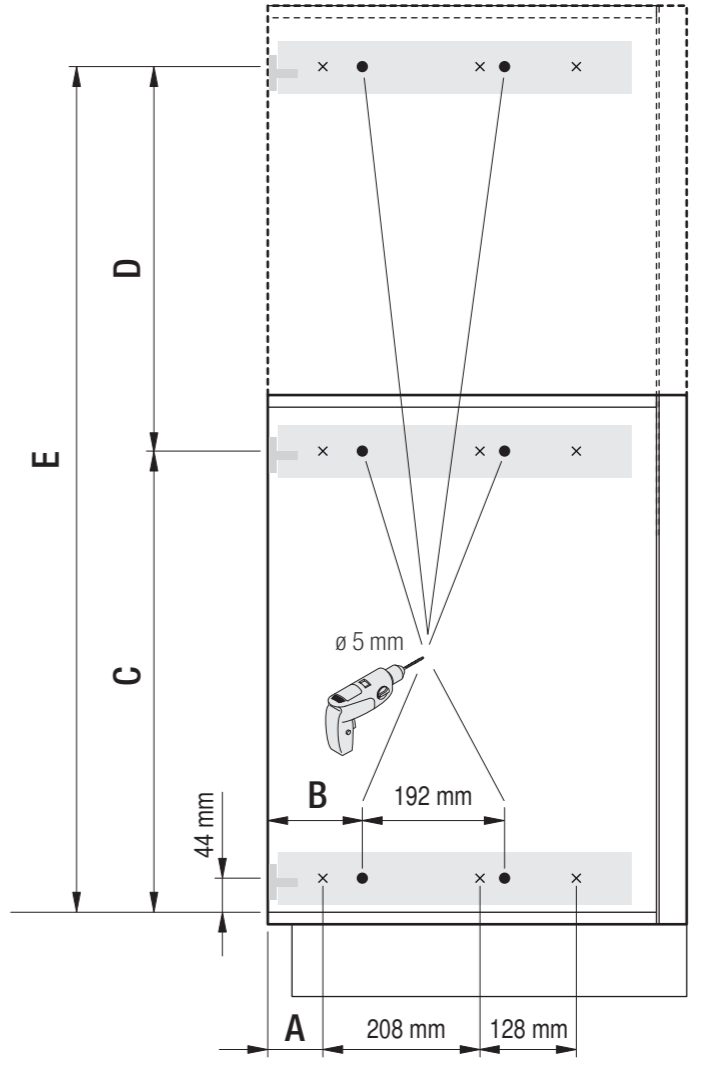


DSA V15

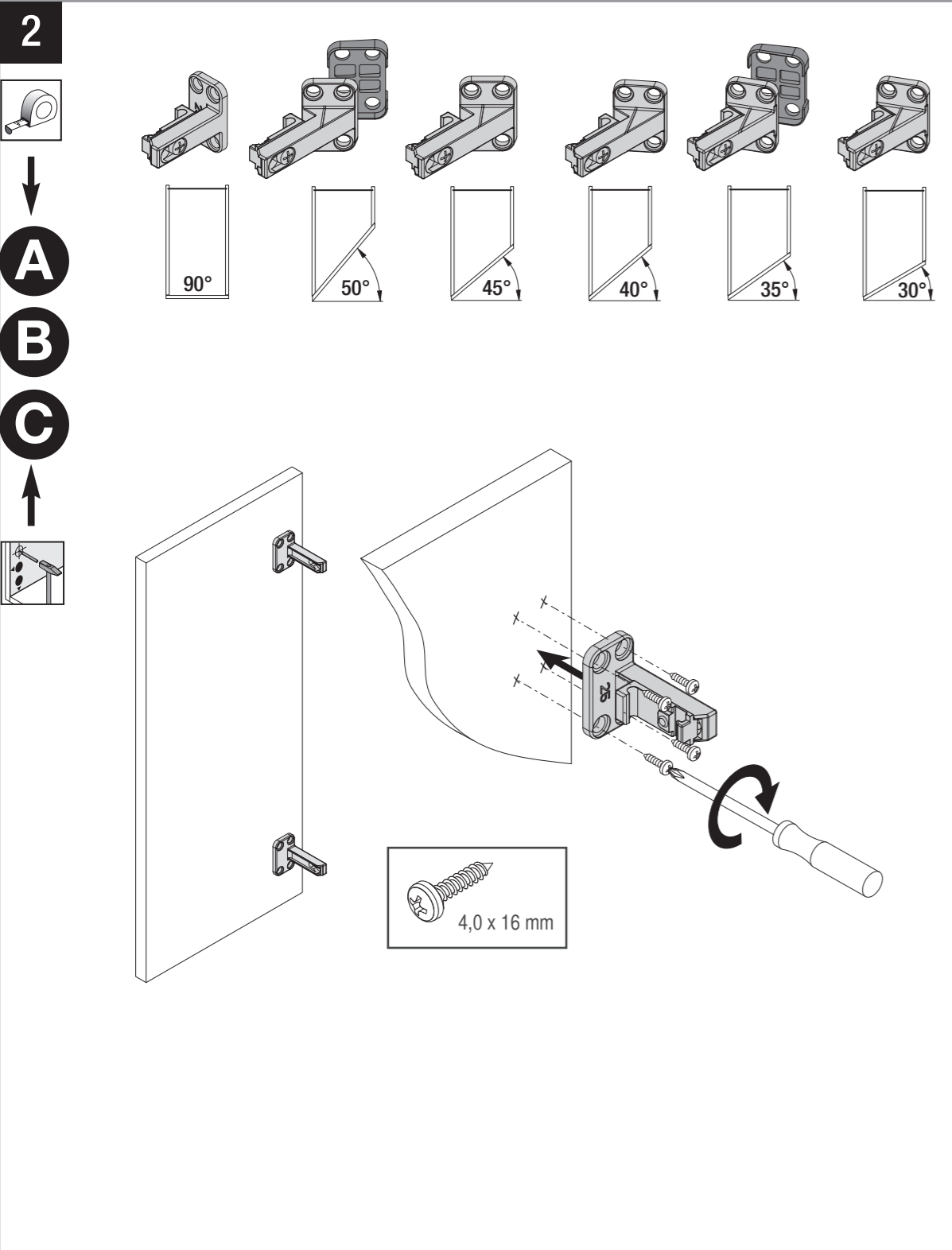


- 1
- 6 x 4,0 x 16 mm
- 4 x ø 5 mm
- A
- B
- C

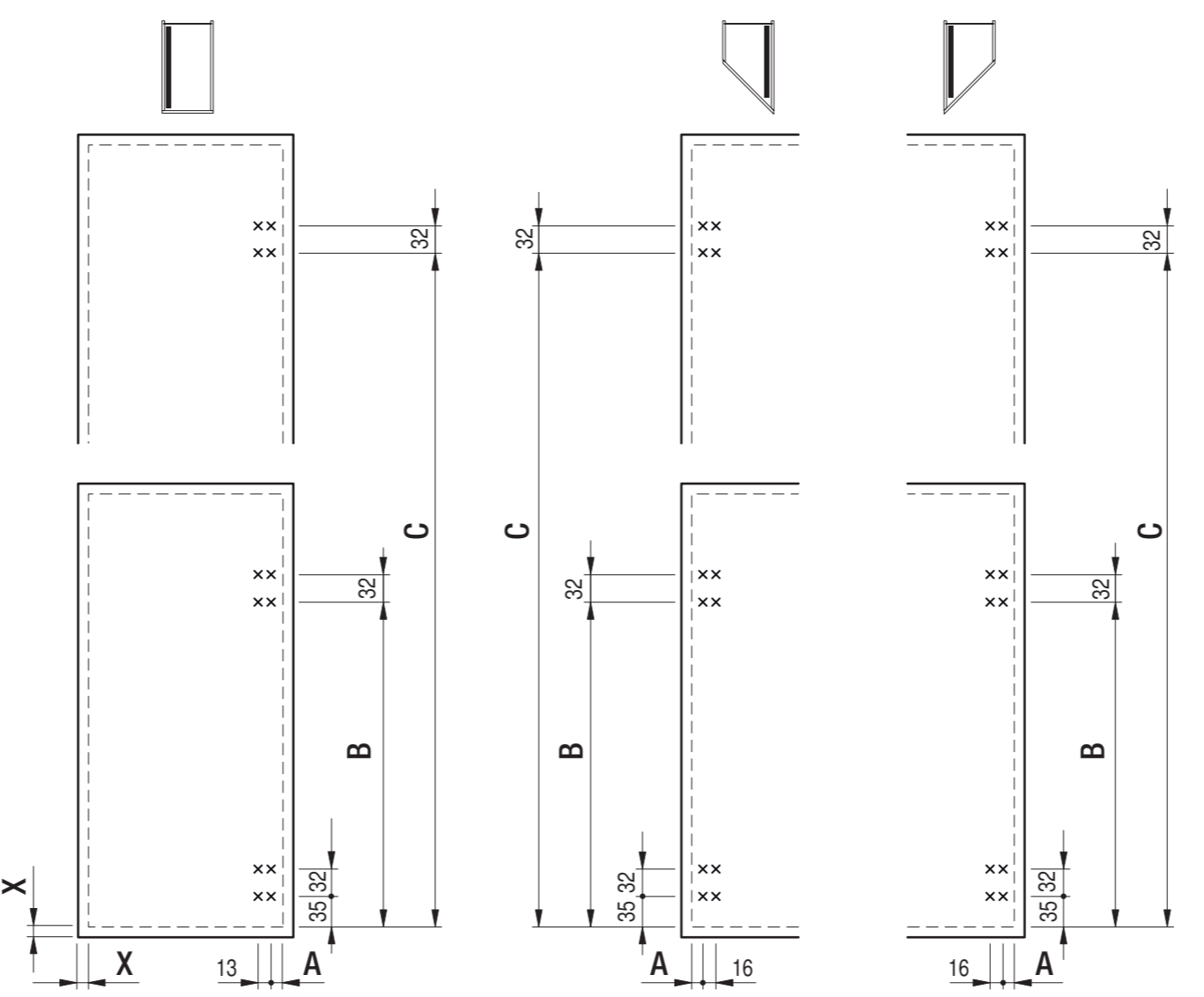


| | A | B |
|-----|-----|-----|
| 90° | 75 | 123 |
| 50° | 111 | 159 |
| 45° | 103 | 151 |
| 40° | 98 | 146 |
| 35° | 91 | 139 |
| 30° | 85 | 133 |

| | C | D | E |
|-------|-----|-----|------|
| DSA 8 | 916 | 872 | 1788 |
| DSA 7 | 805 | 761 | 1566 |
| DSA 5 | 615 | 571 | 1186 |
| DSA 4 | 705 | | |
| DSA 3 | 583 | | |
| DSA 2 | 541 | | |
| DSA 1 | 449 | | |



- 2
- 90°
- 50°
- 45°
- 40°
- 35°
- 30°
- A
- B
- C



| | A |
|-----|----|
| 90° | 14 |
| 50° | 28 |
| 45° | 22 |
| 40° | 20 |
| 35° | 20 |
| 30° | 17 |

| | B | B | C |
|-------|-----|-----|------|
| DSA 8 | 894 | 907 | 1766 |
| DSA 7 | 783 | 796 | 1544 |
| DSA 5 | 593 | 606 | 1164 |
| DSA 4 | 683 | | |
| DSA 3 | 561 | | |
| DSA 2 | 519 | | |
| DSA 1 | 427 | | |

