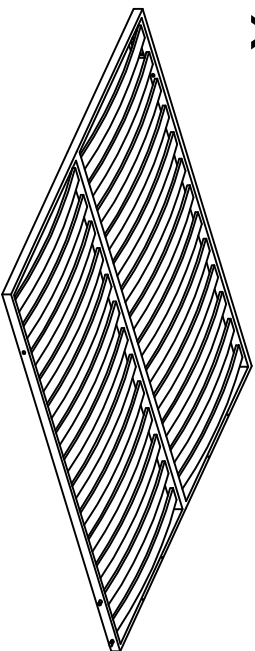
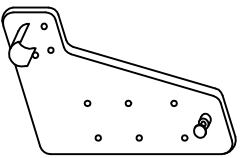
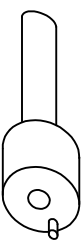
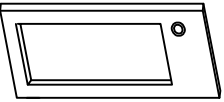
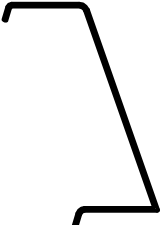
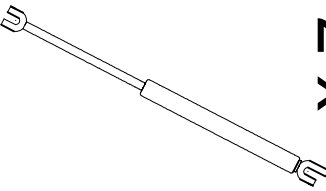

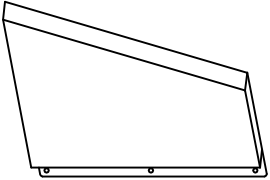
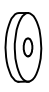
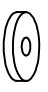

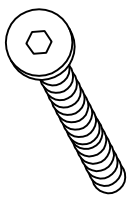

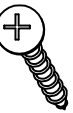


ART. CLICK-V



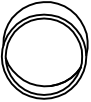
MATRIMONIALE / DOUBLE

MATERIALE FORNITO - MATERIALS PROVIDED

A · 1 X 	B · 2 X 	C · 2 X 	D · 2 X 	
E · 2 X 	F · 2 X 	G · 2 X  Ø16x25	H · 2 X 	L · 2 X  6x16 plastica / plastic M · 4 X  6x18 metallo / metal
N · 4 X  TB 6x12	O · 24 X  TP 6x50	P · 20 X  TPS 6x15	Q · 6 X  4x20	

ART. CLICK-V MATRIMONIALE / DOUBLE

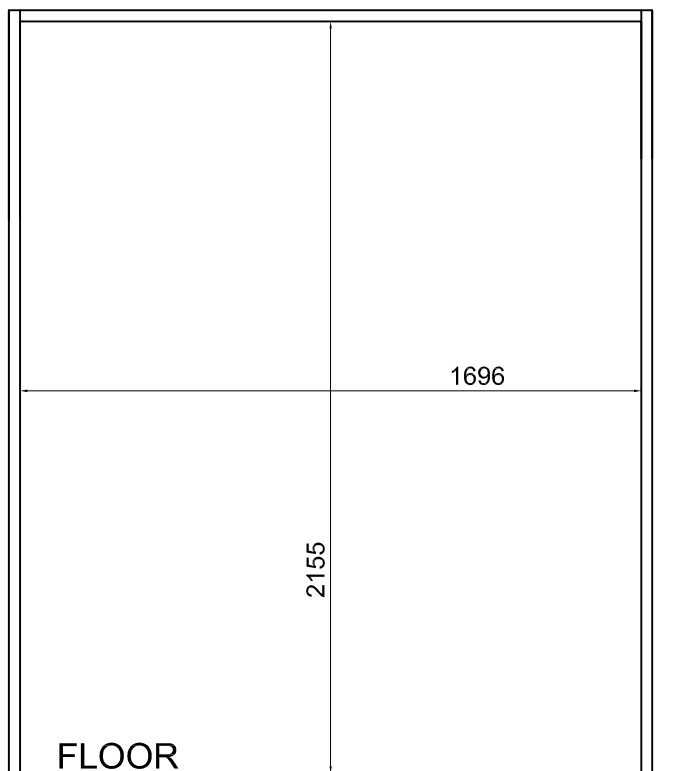
MATERIALE FORNITO - MATERIALS PROVIDED

R	· 2 X	S	· 2 X	T	· 2 X
	TB 6x16				

CLICK-V 1630x2020

CLICK-V SOFA' 1630x2020

CLICK-V SOFA' SYNCRO 1630x2020



CABINET DIMENSIONS:

INTERNAL WIDE 1696mm
HEIGHT FROM THE FLOOR 2155mm
BASAMENT HEIGHT MAX 60mm

DEPTH CABINET:

**THICKNESS DOOR + 280mm +
THICKNESS BACK PANEL**

H. MATTRESS 180mm

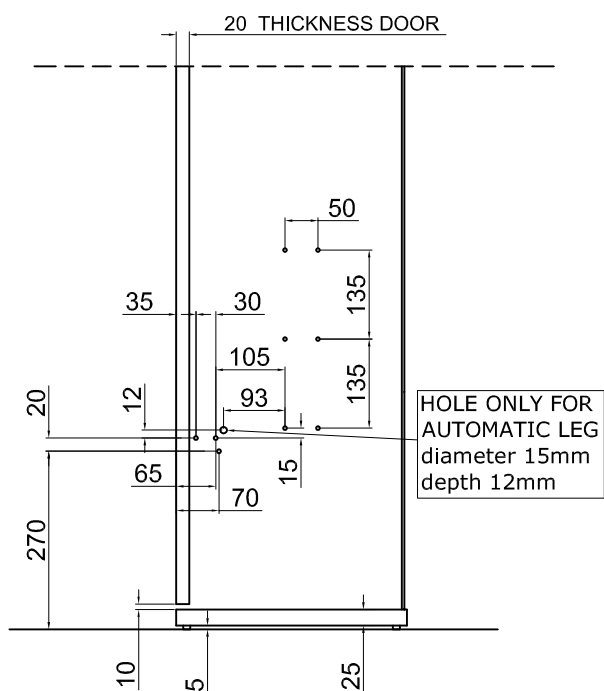
**mattress for different heights with
changing the depth of cabinet**

FRONTAL PANEL + MATTRESS WEIGHT 75Kg
WEIGHT MATTRESS ≥ WEIGHT FRONTAL PANEL

if WEIGHT MATTRESS < WEIGHT FRONTAL PANEL
USE OUR CLOSURES:
A51 TUBE WITH MAGNET
A52 LOCK

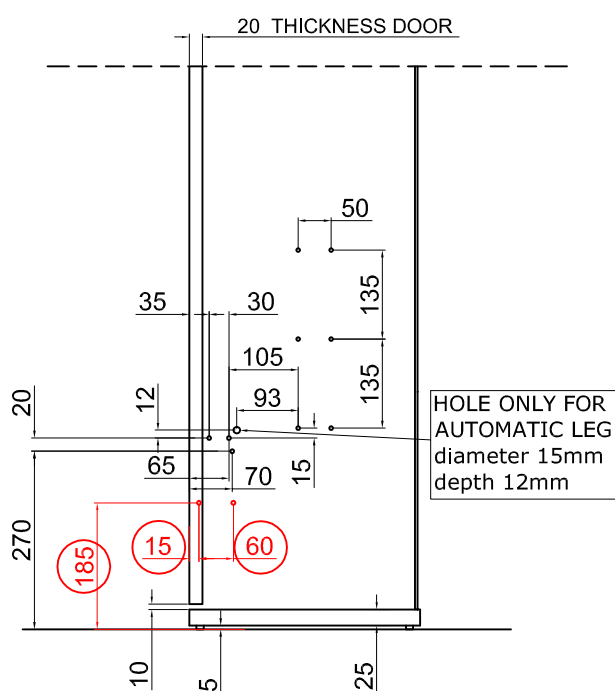
HOLES FOR RIGHT AND LEFT SIDE

CLICK-V 1630x2020

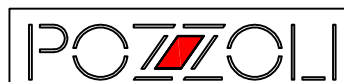


CLICK-V SOFA' 1630x2020

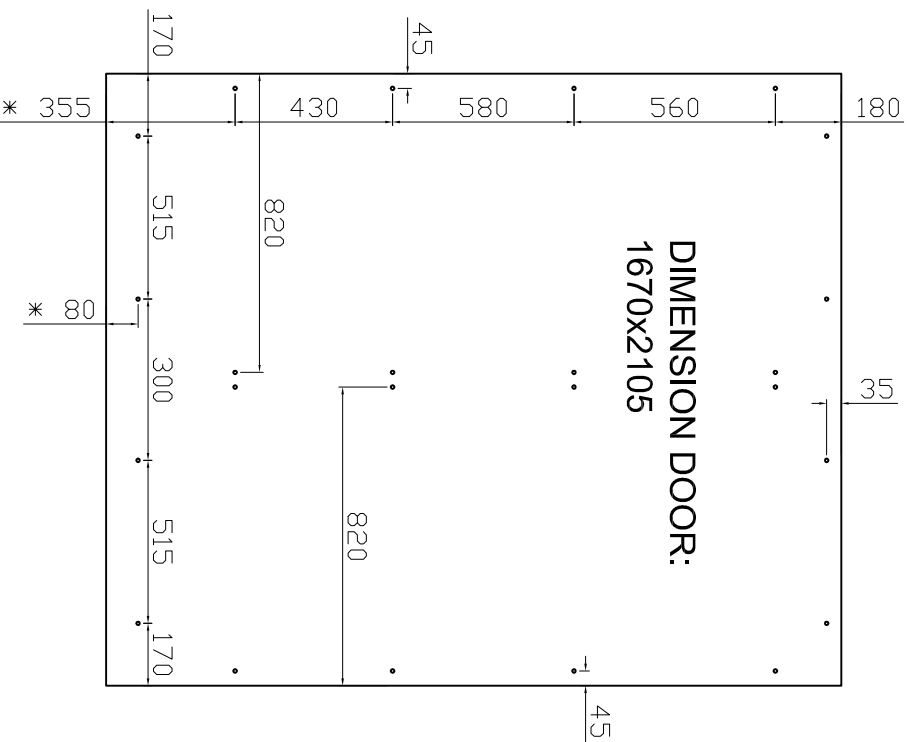
CLICK-V SOFA' SYNCRO 1630x2020



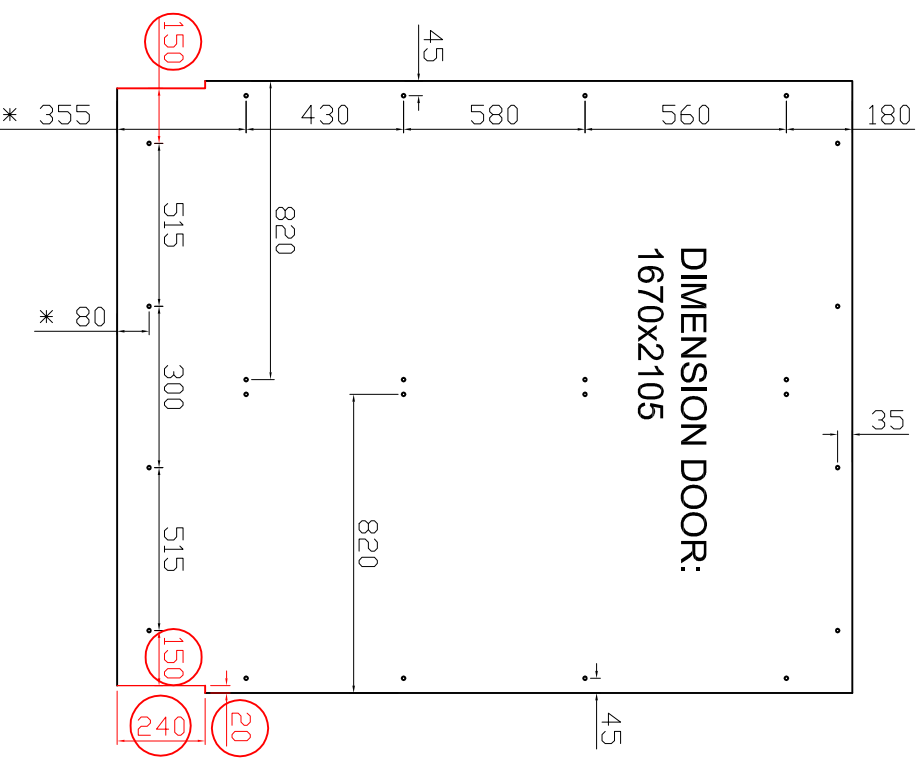
THREADED BUSH 6MA



CLICK-V 1630x2020
CLICK-V SOFA' 1630x2020



CLICK-V SOFA' SYNCRO 1630x2020



EXAMPLE DOOR
DIMENSION DOOR 1670x2105 with BASE 25mm + FOOT 5mm
if you change base dimension you have to change door size and holes (*)

ART. CLICK-V MATRIMONIALE / DOUBLE

MONTAGGIO - MOUNTING

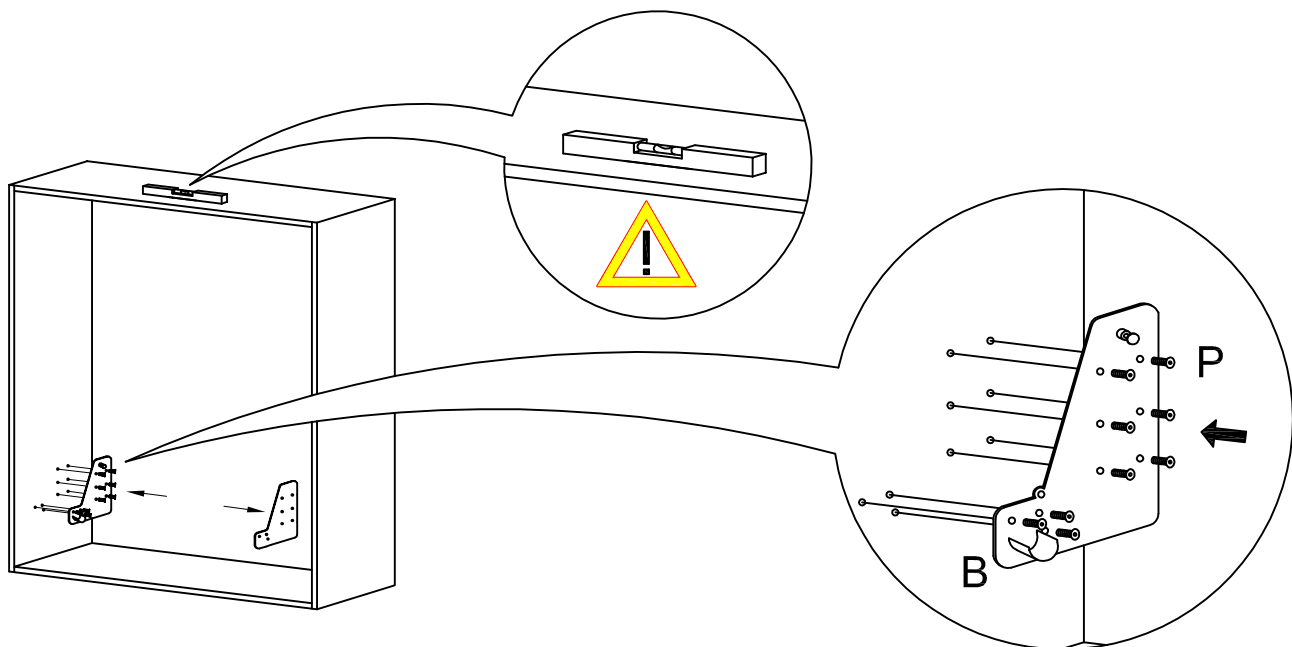


Assicuratevi di aver fissato il vostro mobile alla parete contro il ribaltamento, poiché le pareti sono di materiali diversi il fissaggio alla parete non è incluso

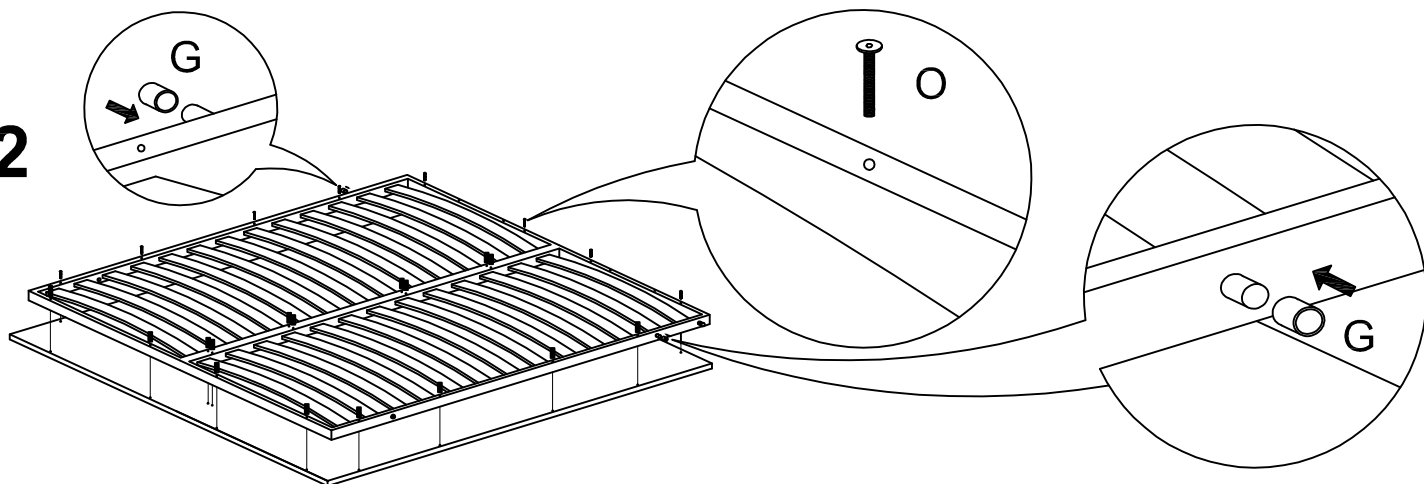
Make sure to fix your cabinet to the wall.

As wall materials vary, plates and screws for fixing to wall are not included.

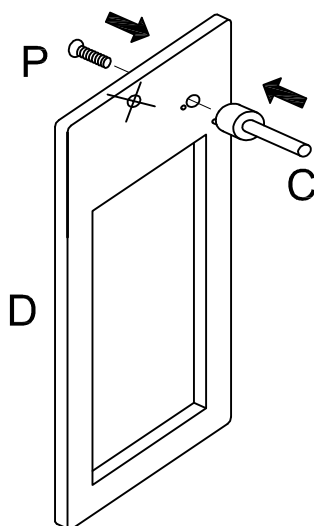
1

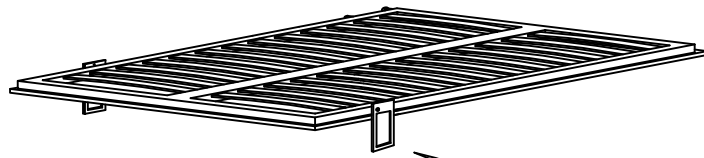


2

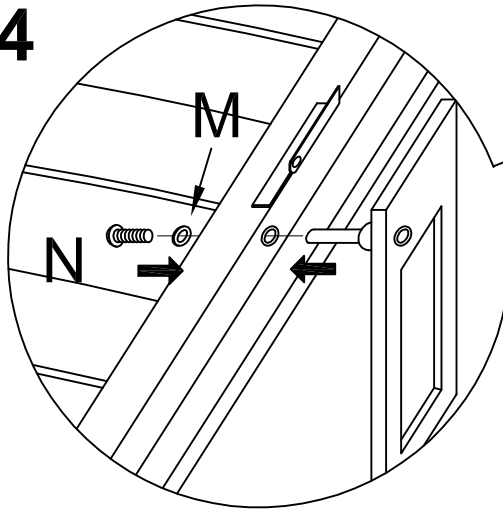


3

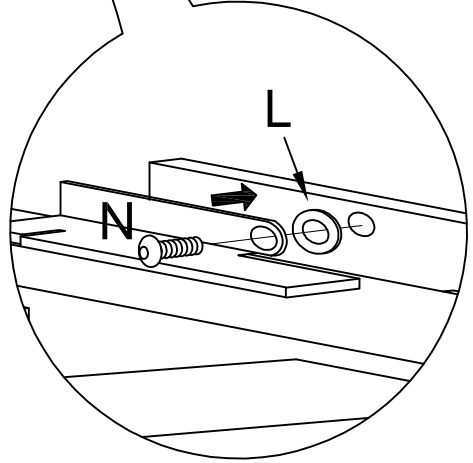




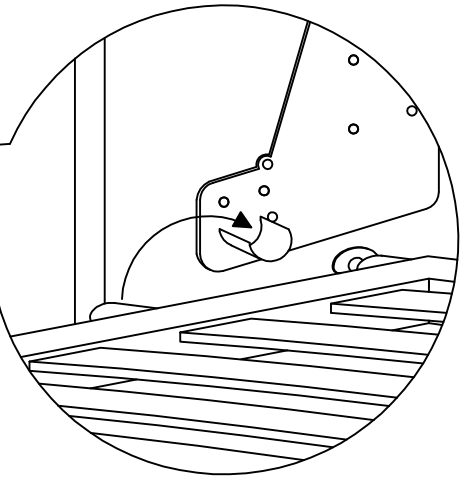
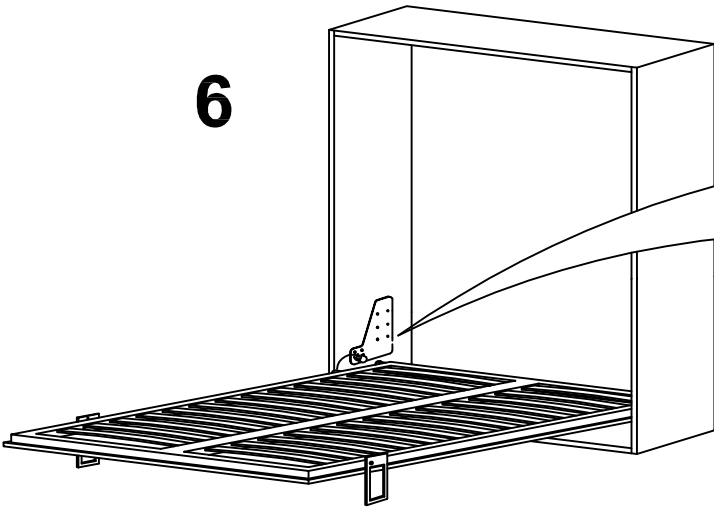
4



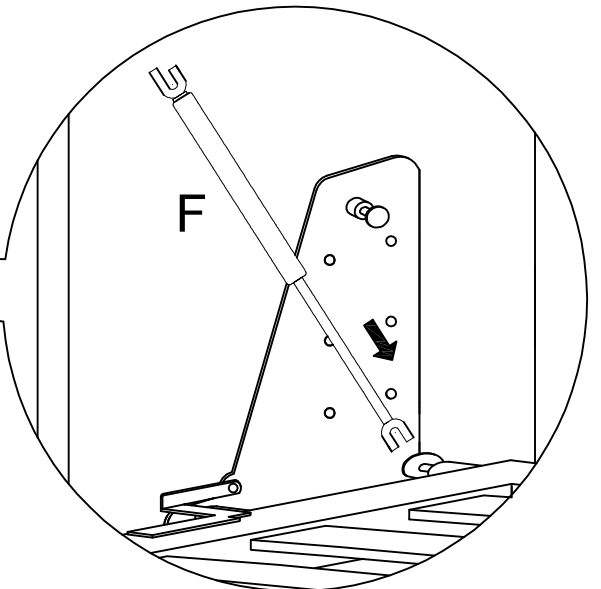
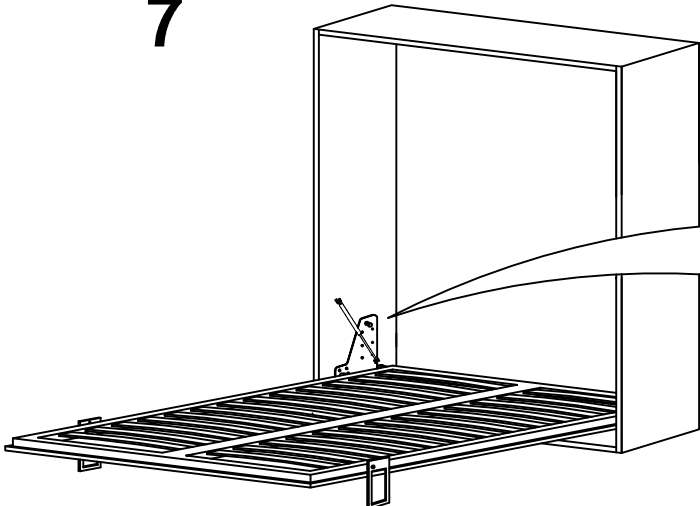
5



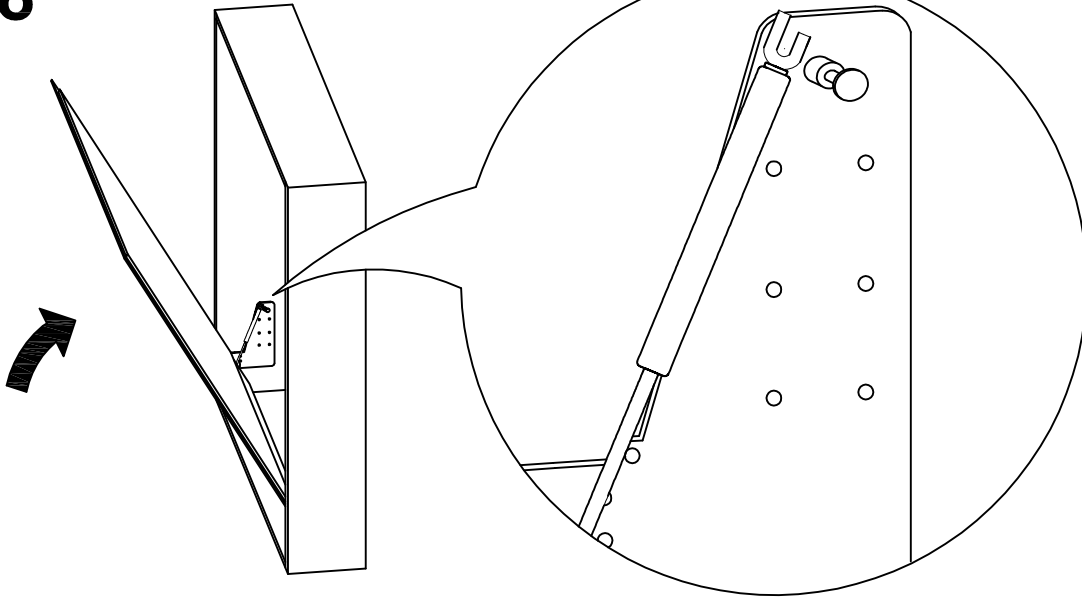
6



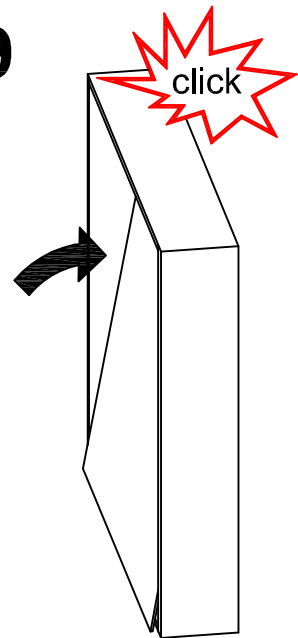
7



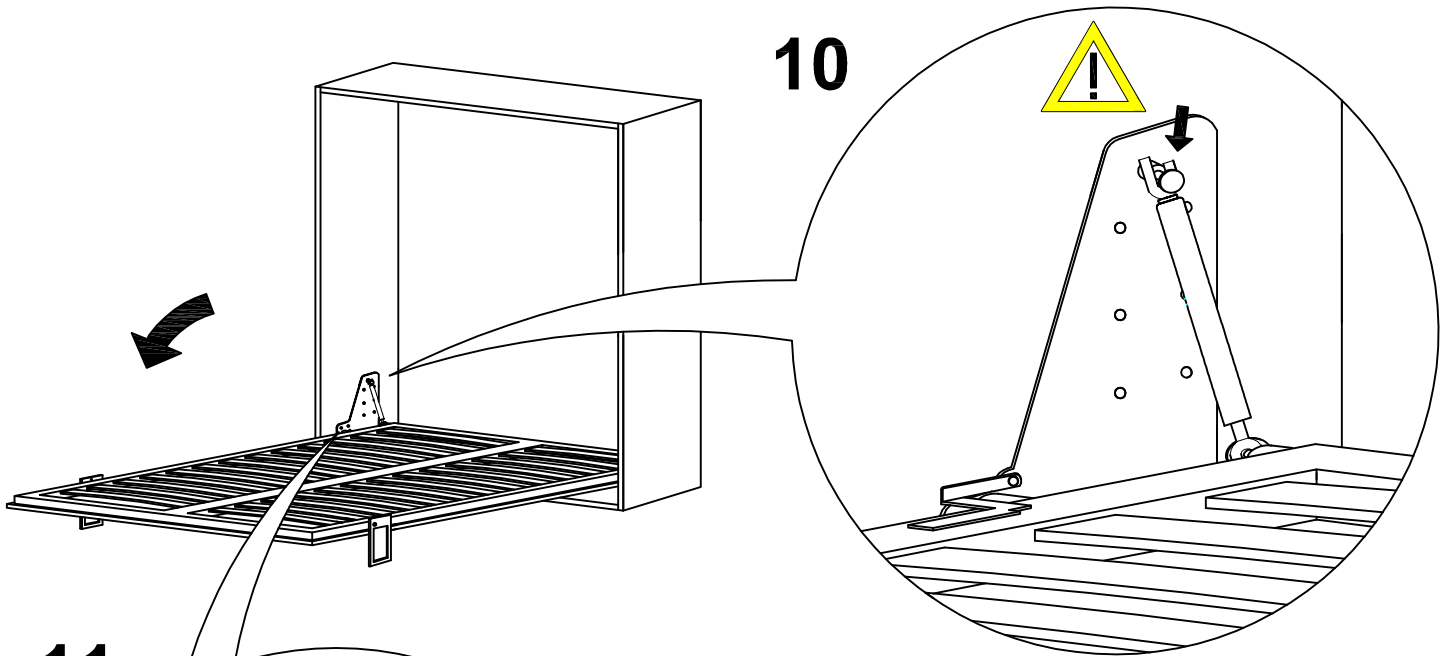
8



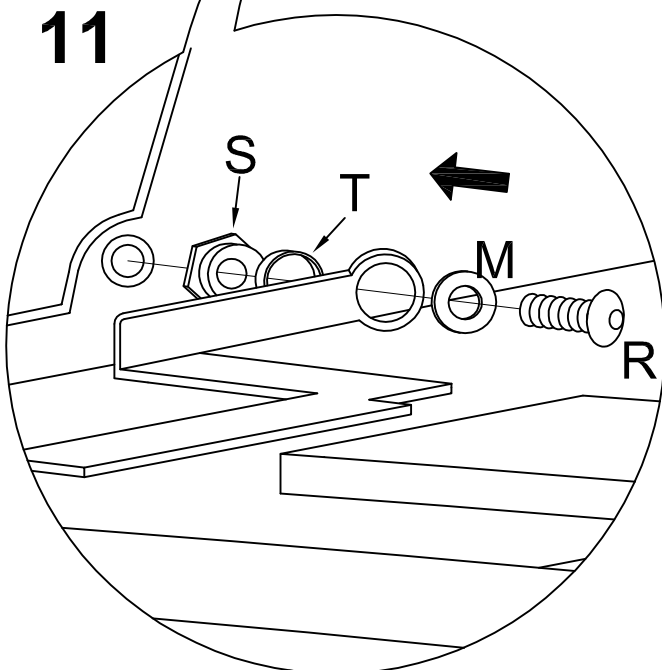
9



10



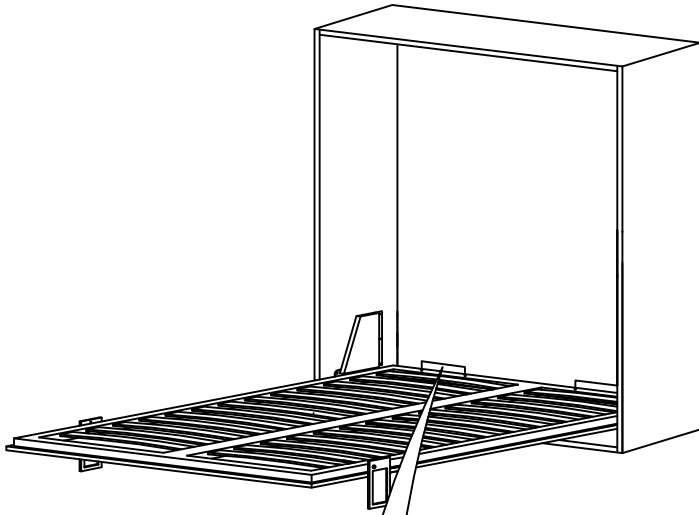
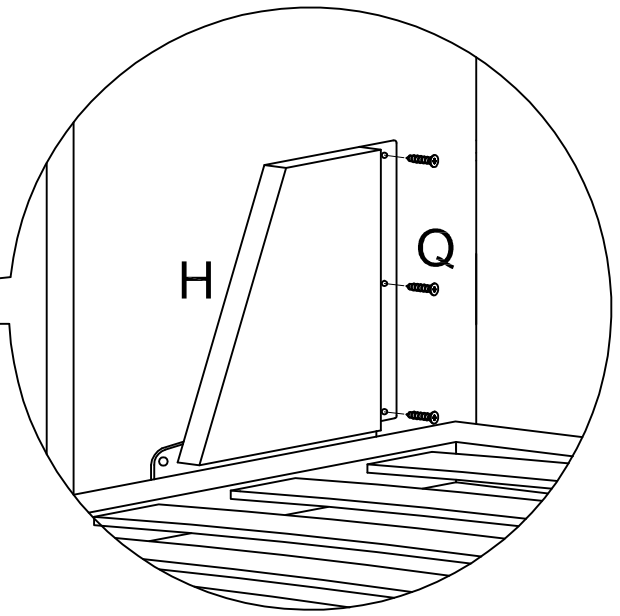
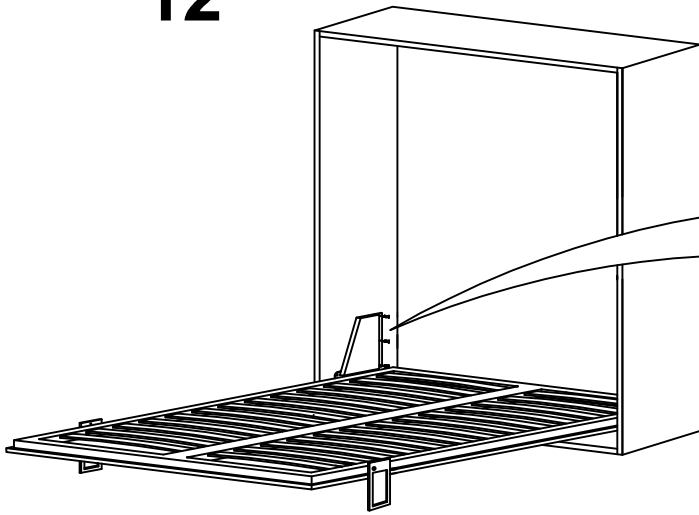
11



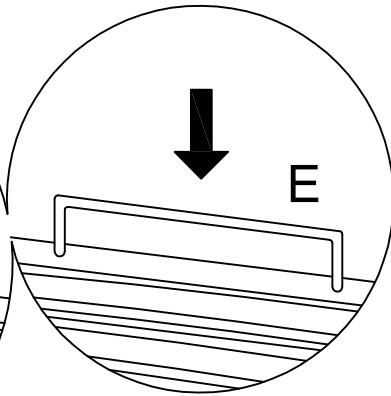
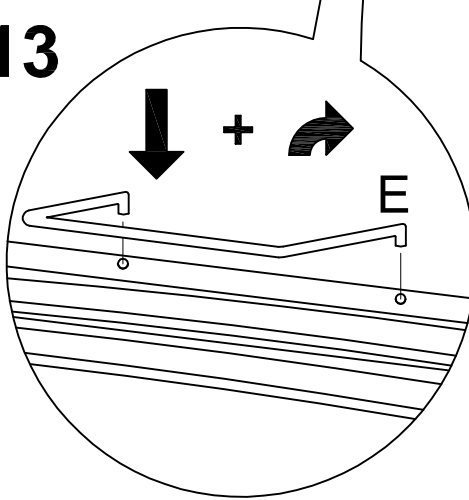
**CORRETTA REGOLAZIONE
CORRECT ADJUSTMENT**

- 1 APRIRE IL LETTO
OPEN THE BED
- 2 APPOGGIARE I PIEDI A TERRA
PUT THE FEET PARALLEL TO
THE FLOOR
- 3 AVVITARE LA VITE (R)
SET THE SCREW (R)

12



13



14

