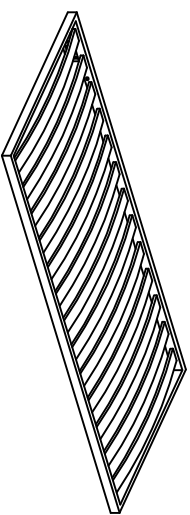


ART. CLICK-UPPER

MATERIALE FORNITO - MATERIALS PROVIDED

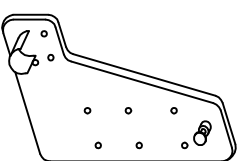
A

. 1 X



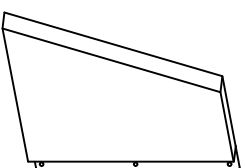
B

. 2 X



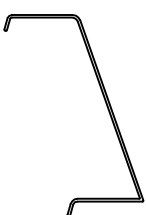
C

. 2 X



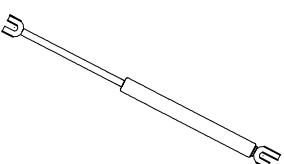
D

. 2 X



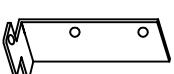
E

. 2 X



F

. 2 X



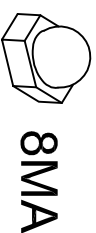
G

. 1 X



H

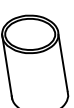
. 2 X



8MA

J

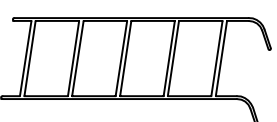
. 2 X



Ø16x25

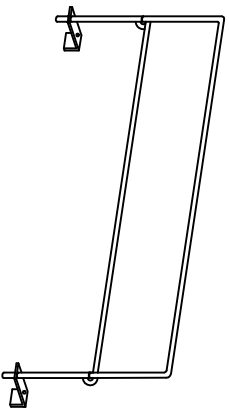
L

. 1 X



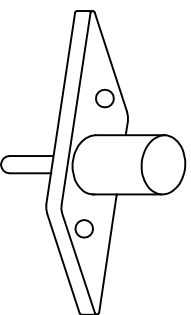
M

. 1 X



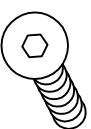
N

. 1 X



O

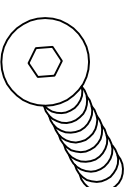
. 16 X



TPS 6x15

P

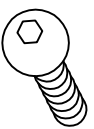
. 2 X



TPS 8x25

Q

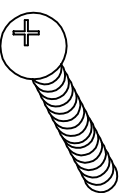
. 2 X



TB 6x20

R

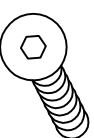
. 12 X



TB 6x50

S

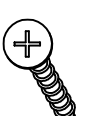
. 4 X



TPS 6x20

T

. 6 X



4x20

ART. CLICK UPPER

MONTAGGIO - MOUNTING

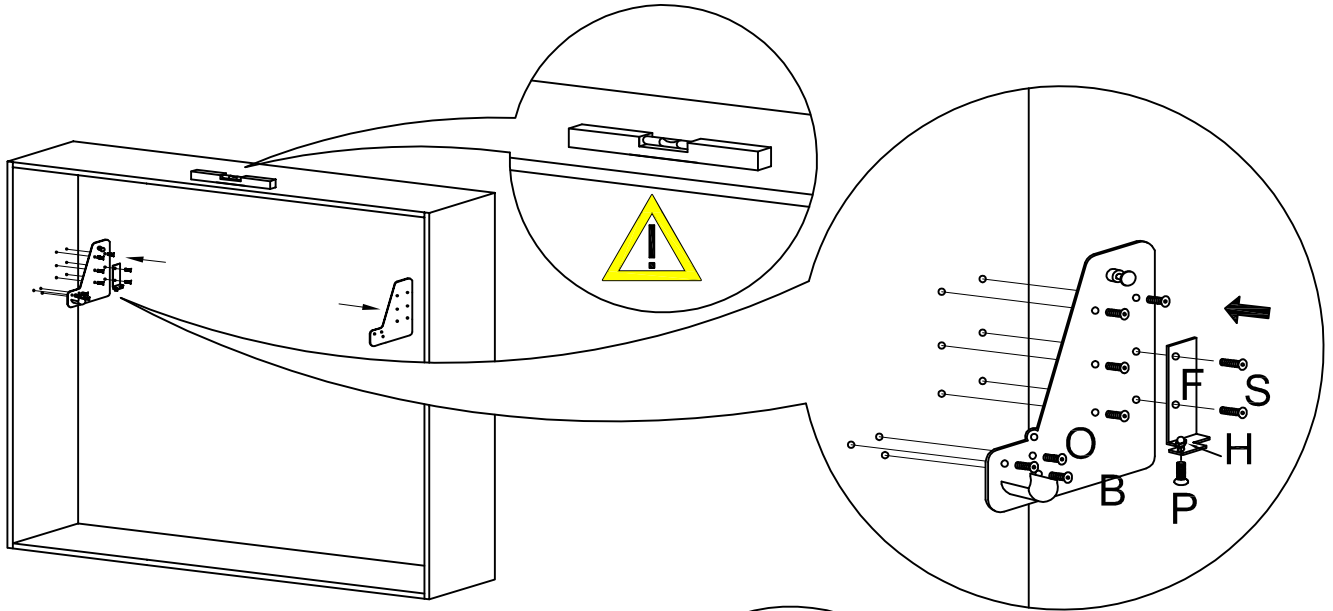


Assicuratevi di aver fissato il vostro mobile alla parete contro il ribaltamento, poichè le pareti sono di materiali diversi il fissaggio alla parete non è incluso

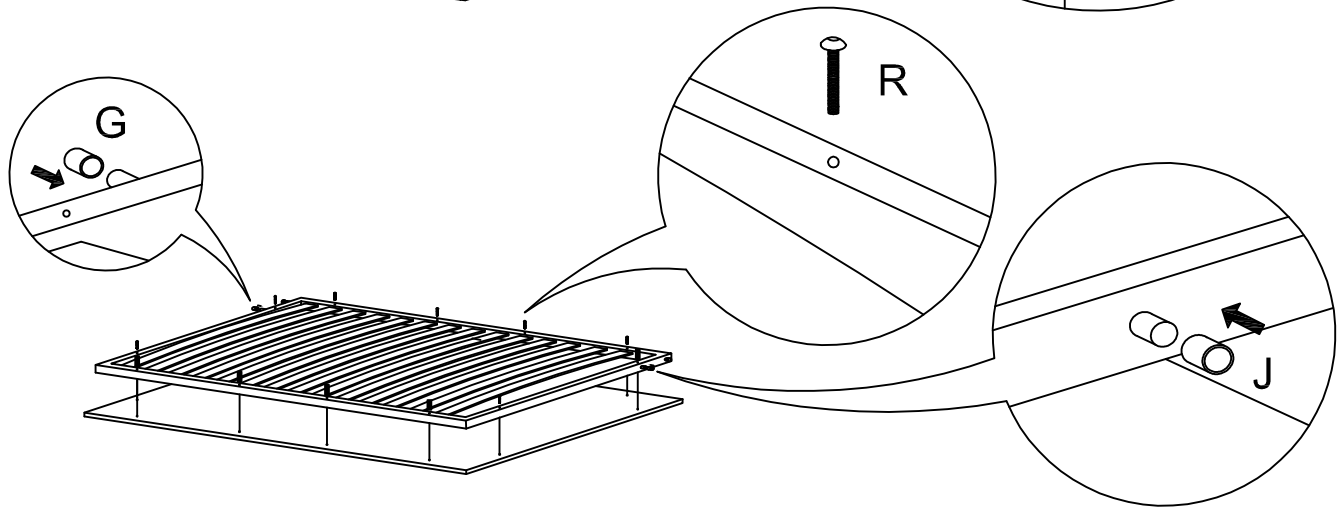
Make sure to fix your cabinet to the wall.

As wall materials vary, plates and screws for fixing to wall are not included.

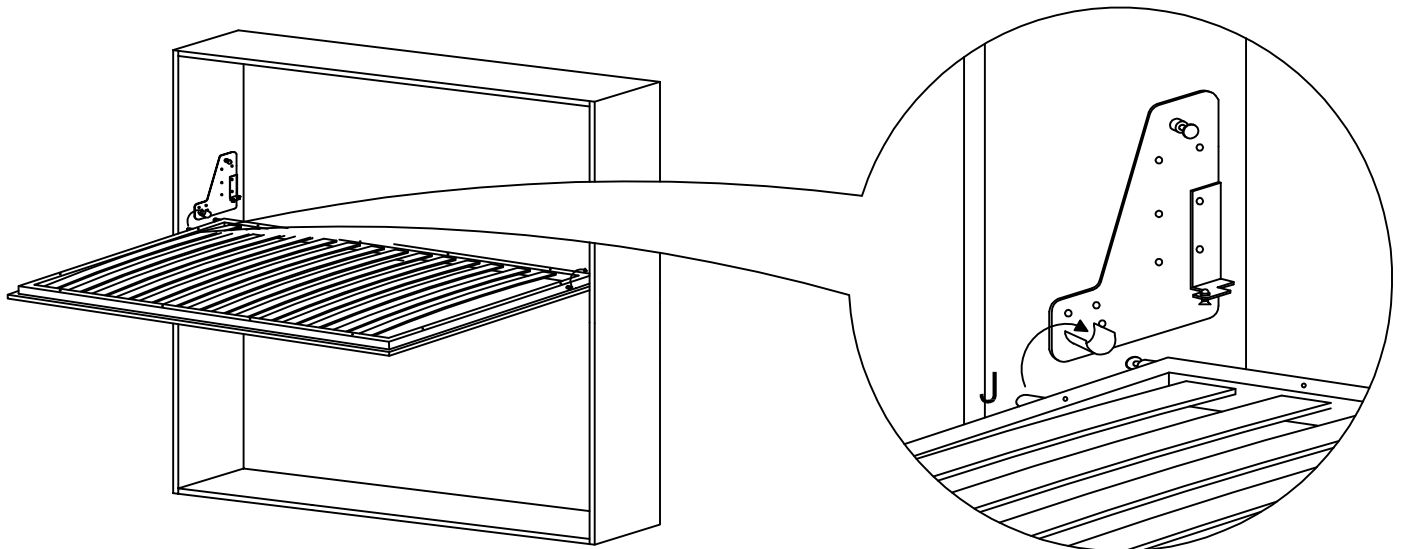
1



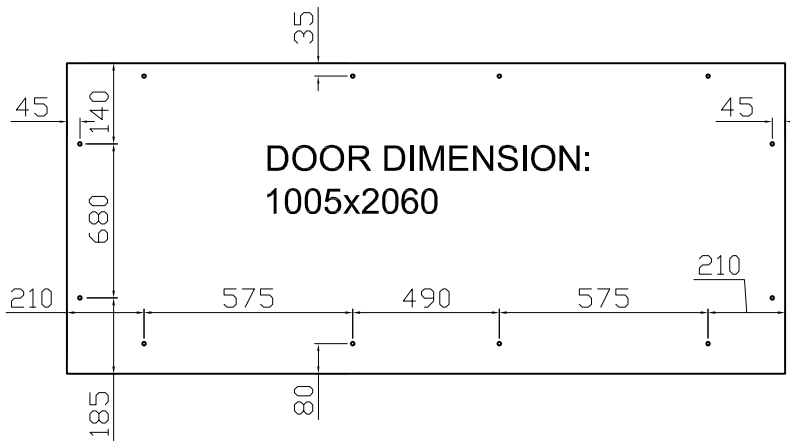
2



3



CLICK-O UPPER 920x2020



THREADED BUSH 6MA

CABINET DIMENSIONS:

INTERNAL WIDE 2086mm

HEIGHT FROM THE FLOOR 2073mm

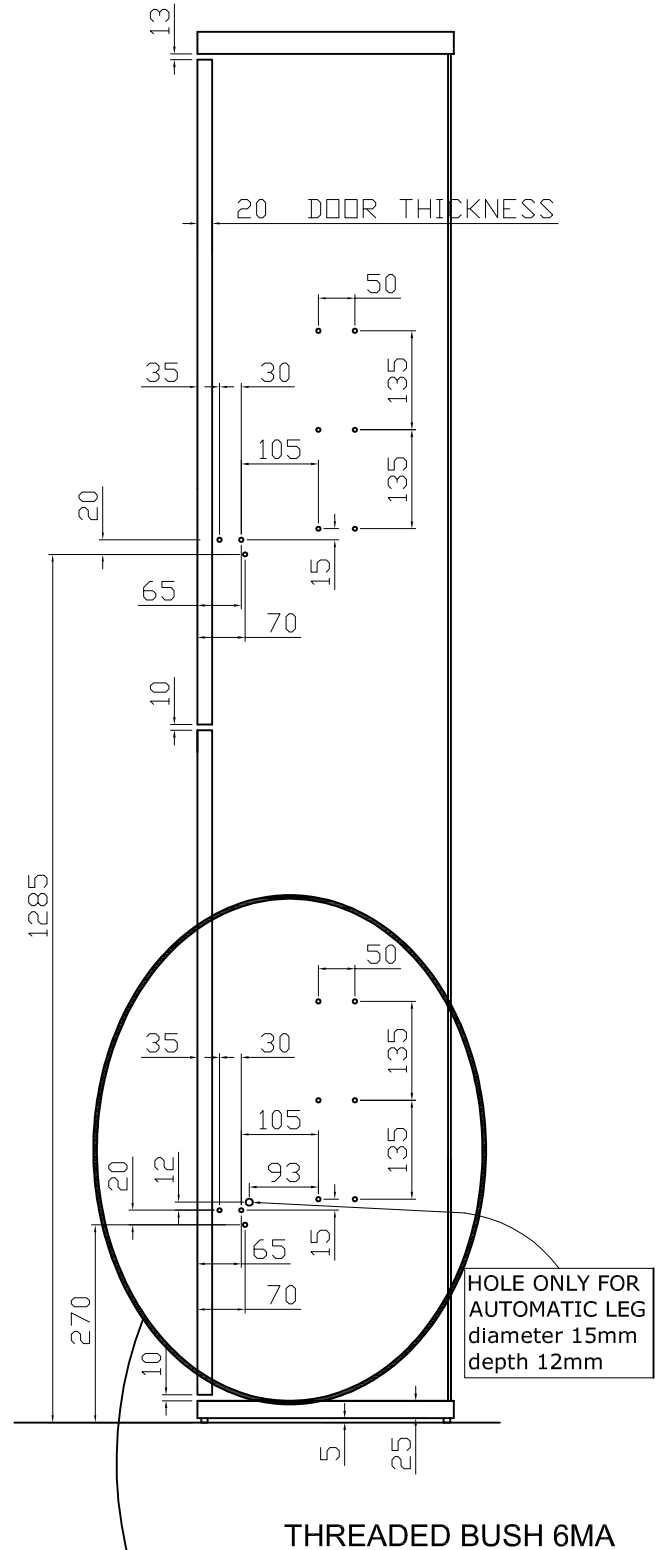
DEPTH CABINET: THICKNESS DOOR + 280mm + THICKNESS BACK PANEL

FRONTAL PANEL + MATTRESS WEIGHT 40Kg
WEIGHT MATTRESS ≥ WEIGHT FRONTAL PANEL
HEIGHT MATTRESS 180mm

if WEIGHT MATTRESS < WEIGHT FRONTAL PANEL

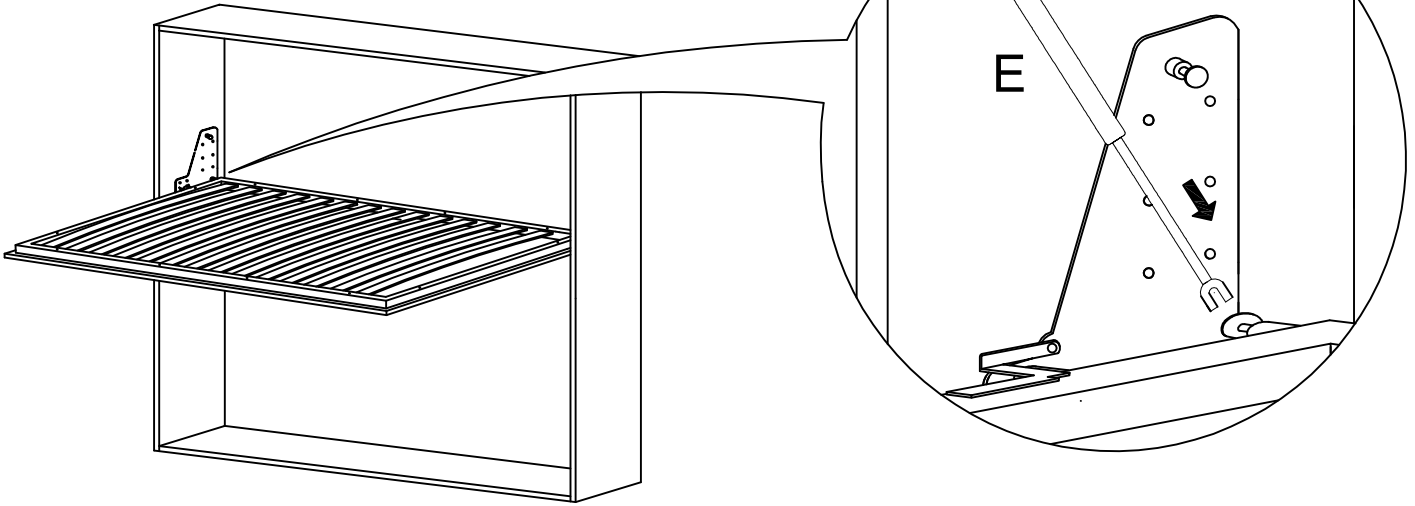
USE OUR CLOSURES:
A51 TUBE WITH MAGNET
A52 LOCK

HOLES FOR RIGHT AND LEFT SIDE

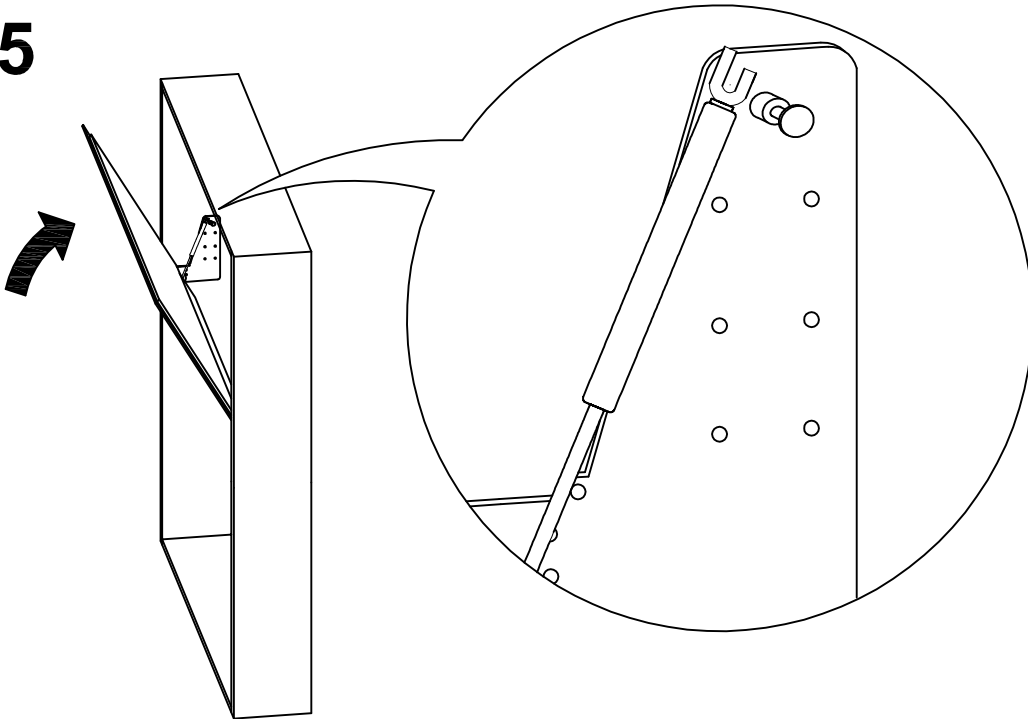


holes necessary only if combined
with **CLICK-O LOWER**

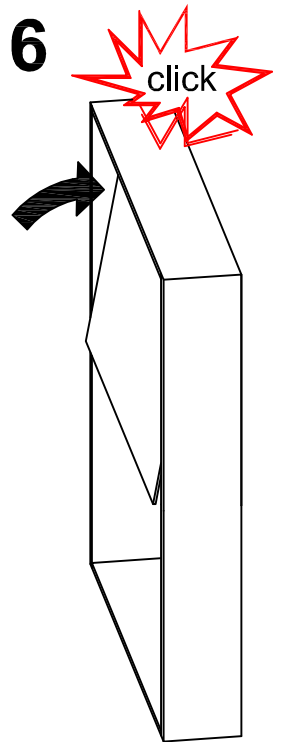
4



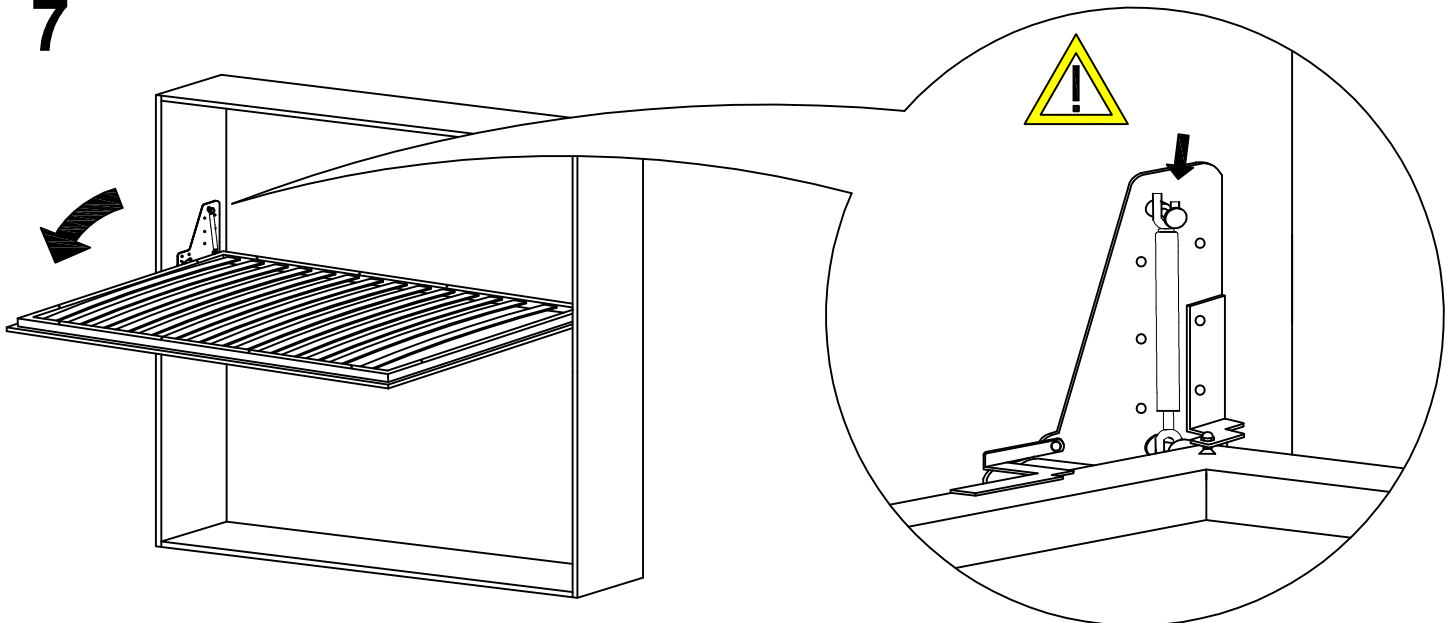
5



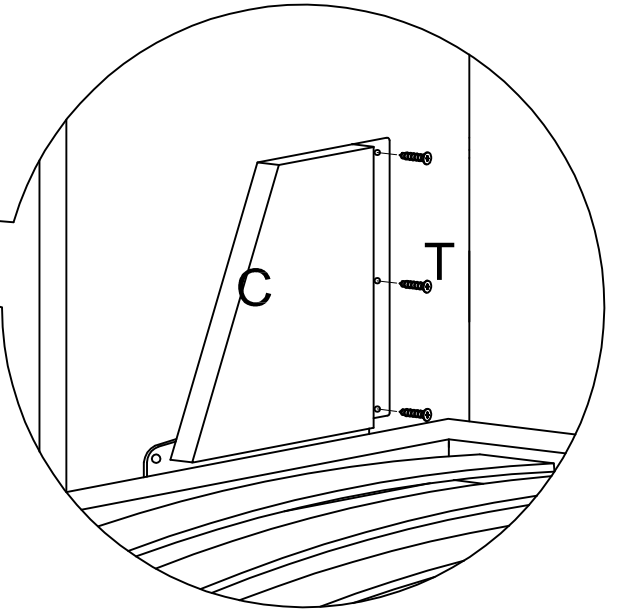
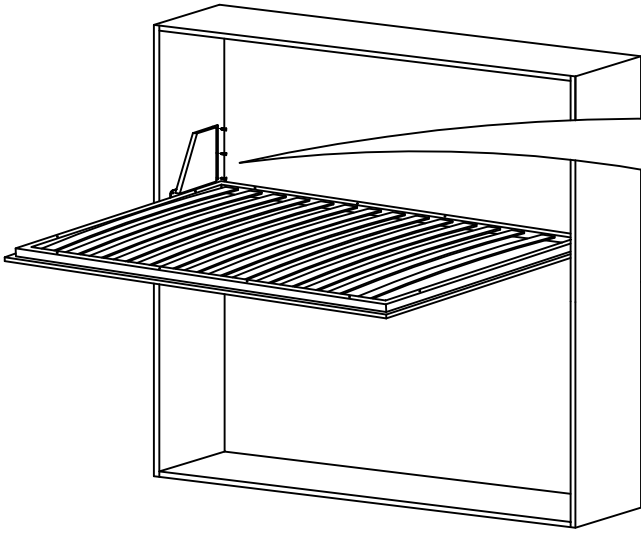
6



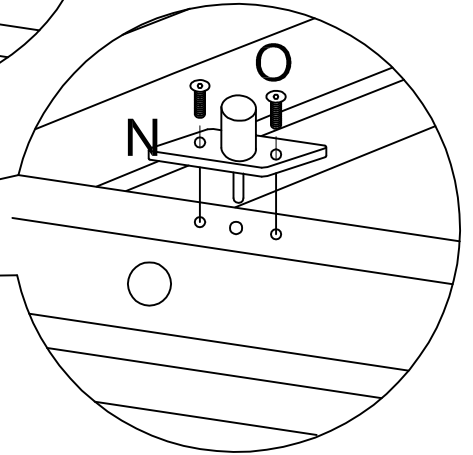
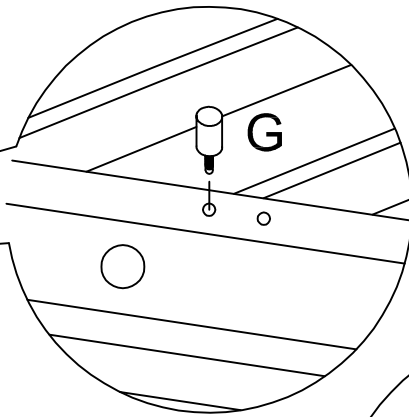
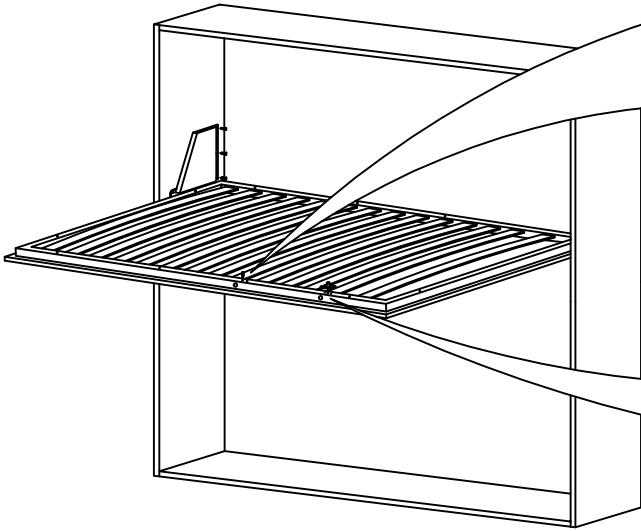
7



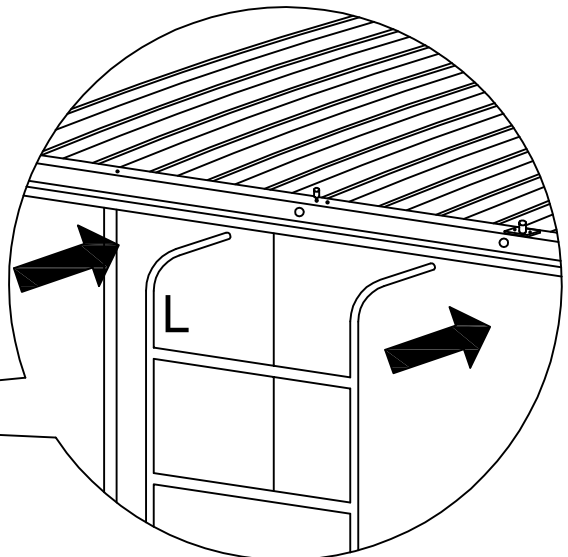
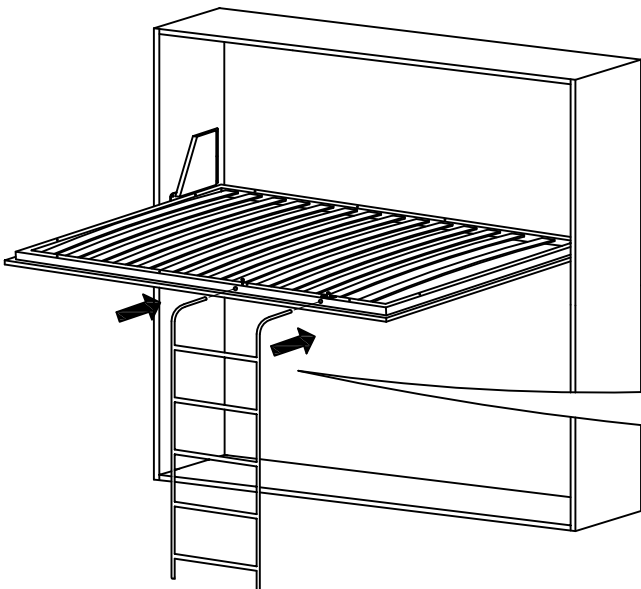
8



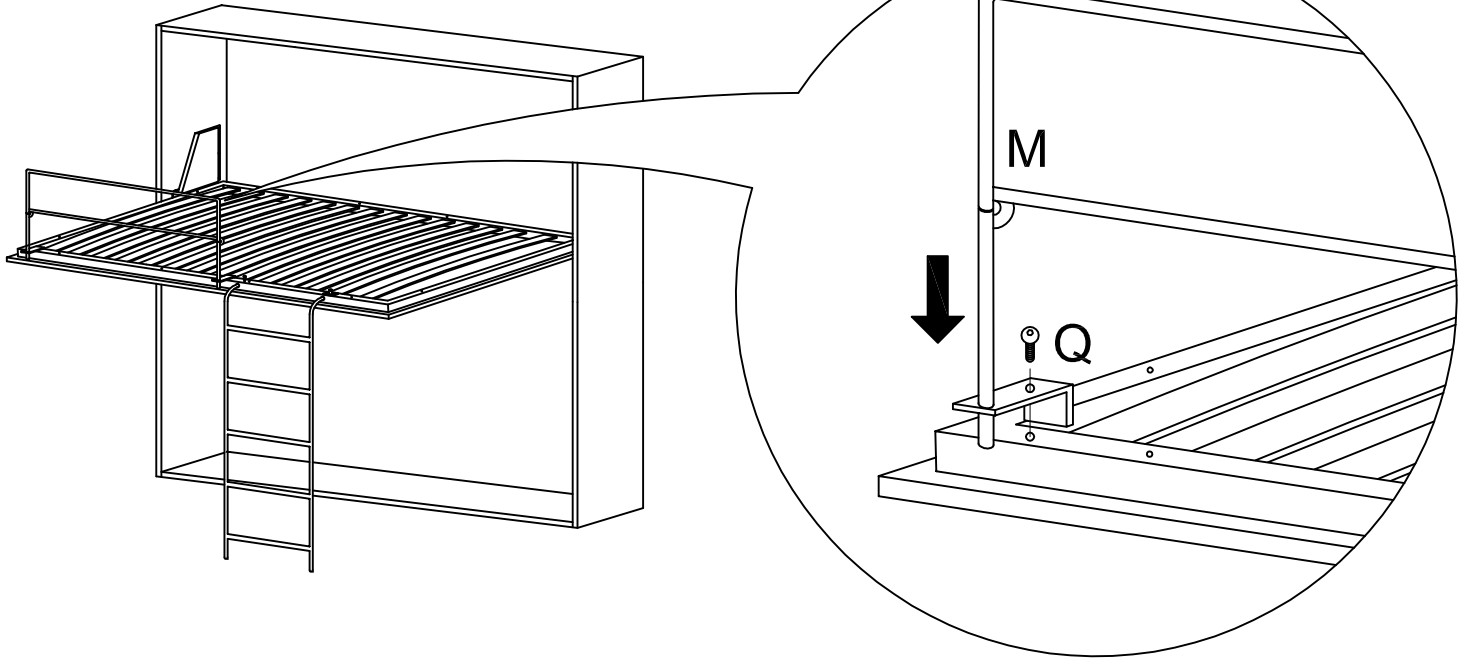
9



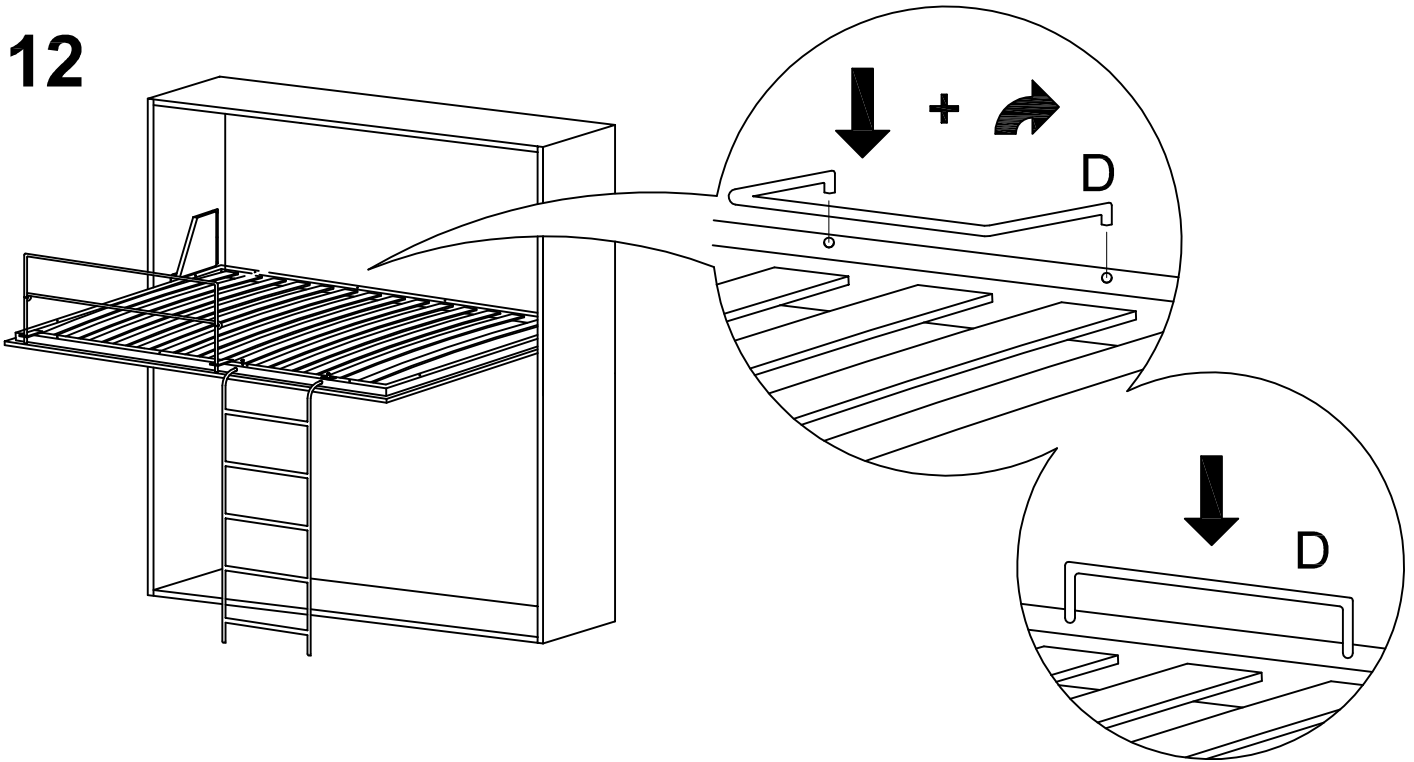
10



11



12



13

