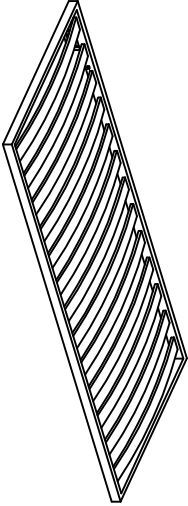
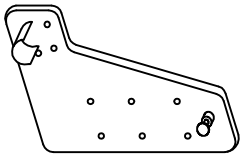
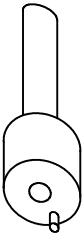
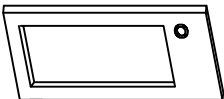
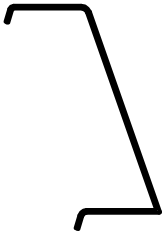
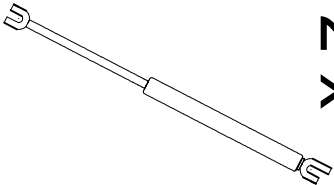

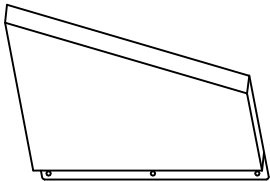
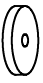
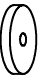

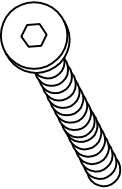




# ART. CLICK-O LOWER



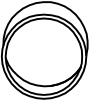
SINGOLO / SINGLE

MATERIALE FORNITO - MATERIALS PROVIDED

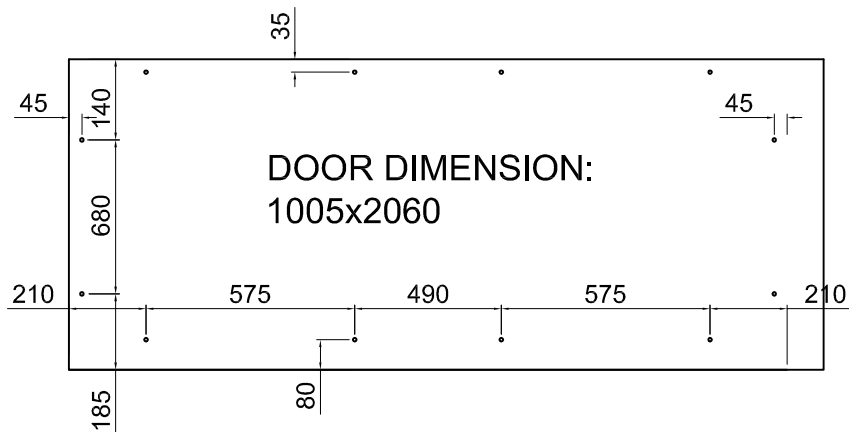
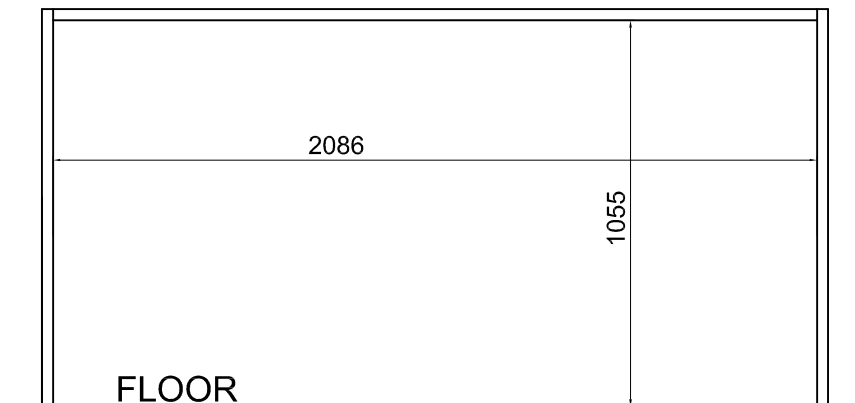
<b>A</b> · 1 X 	<b>B</b> · 2 X 	<b>C</b> · 2 X 	<b>D</b> · 2 X 
<b>E</b> · 2 X 	<b>F</b> · 2 X 	<b>G</b> · 2 X  Ø16x25	<b>H</b> · 2 X 
<b>L</b> · 2 X  6X16 plastica / plastic	<b>M</b> · 4 X  6X18 metallo / metal	<b>N</b> · 4 X  TB 6x12	<b>O</b> · 12 X  TP 6x50
<b>P</b> · 20 X  TPS 6x15	<b>Q</b> · 6 X  4x20		

# ART. CLICK-0 LOWER SINGOLO / SINGLE

MATERIALE FORNITO - MATERIALS PROVIDED

R	· 2 X	S	· 2 X	T	· 2 X
	TB 6x16				

# CLICK-O LOWER 920x2020



THREADED BUSH 6MA

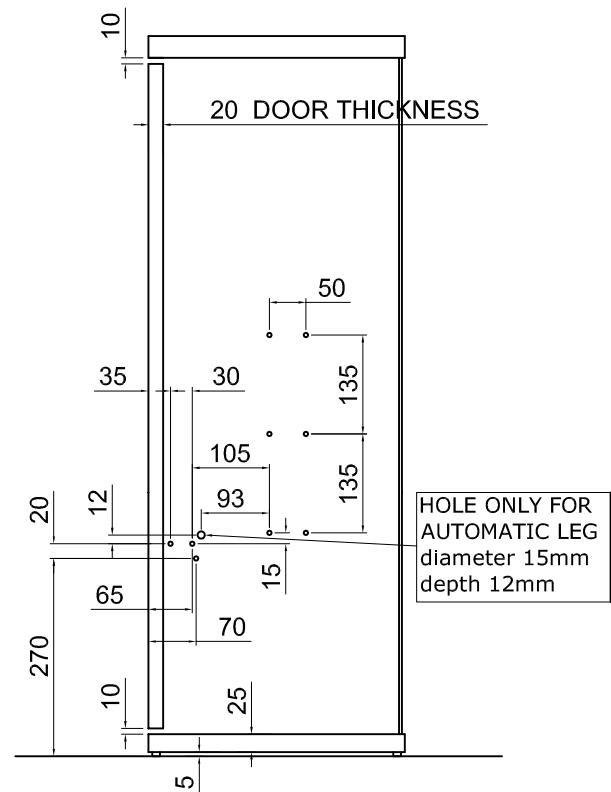
## **CABINET DIMENSIONS:**

INTERNAL WIDE 2086mm  
HEIGHT FROM THE FLOOR 1055mm  
BASAMENT HEIGHT MAX 60mm

## **EXAMPLE:**

METAL BASE DIMENSION 920x2020  
DOOR DIMENSION 1005x2060  
BASAMENT HEIGHT 30mm  
if you change basament dimension  
you have to change door size  
and holes (\*)

## **HOLES FOR RIGHT AND LEFT SIDE**



THREADED BUSH 6MA

## **DEPTH CABINET:**

**THICKNESS DOOR + 280mm +  
THICKNESS BACK PANEL**

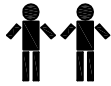
**FRONT PANEL + MATTRESS**

**WEIGHT 40 Kg**

**HEIGHT MATTRESS 180mm**

# ART. CLICK-O LOWER SINGOLO / SINGLE

## MONTAGGIO - MOUNTING

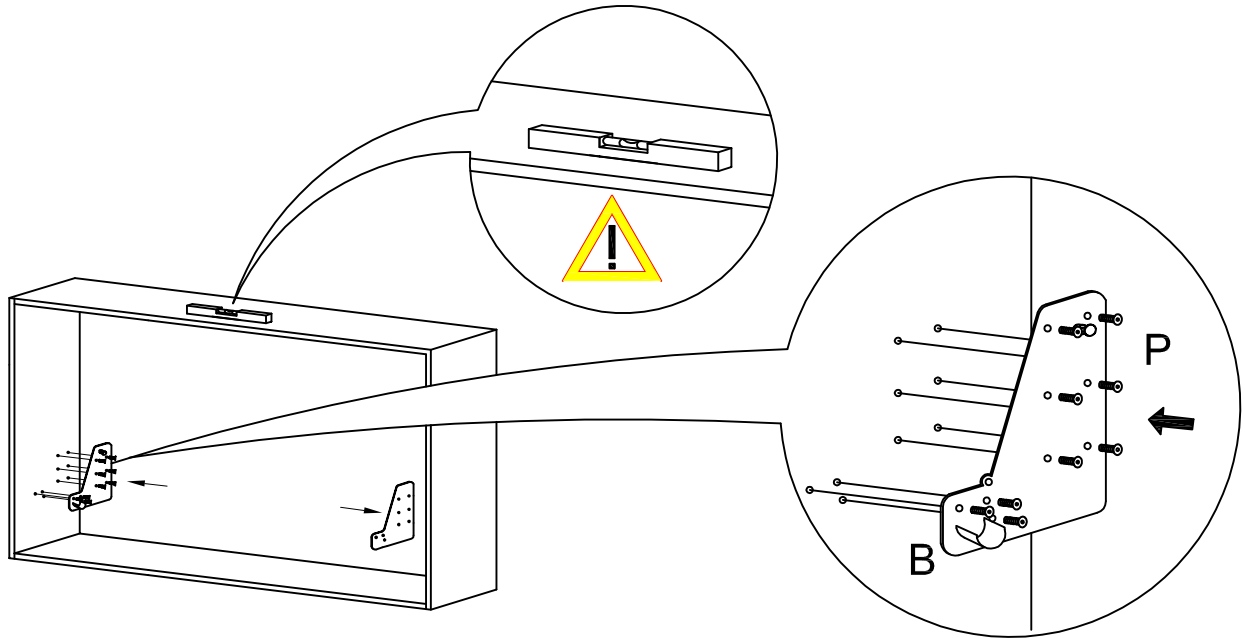


Assicuratevi di aver fissato il vostro mobile alla parete contro il ribaltamento, poichè le pareti sono di materiali diversi il fissaggio alla parete non è incluso

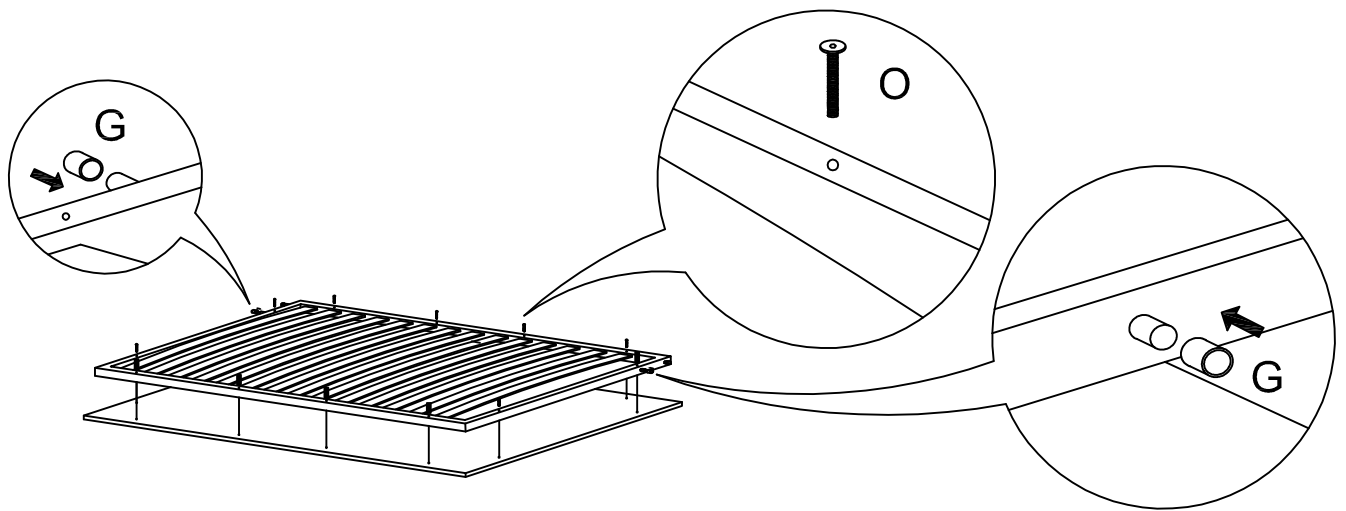
Make sure to fix your cabinet to the wall.

As wall materials vary, plates and screws for fixing to wall are not included.

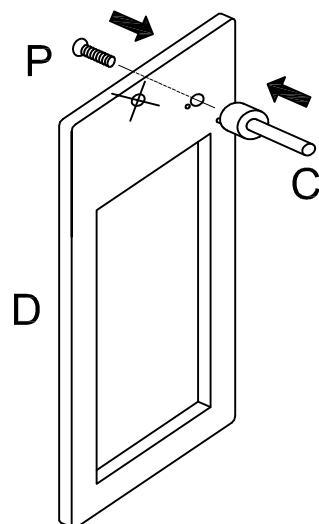
1

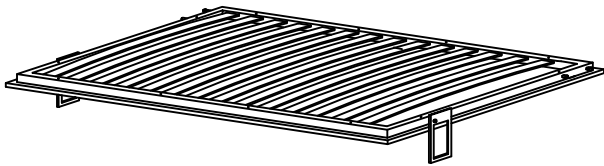


2

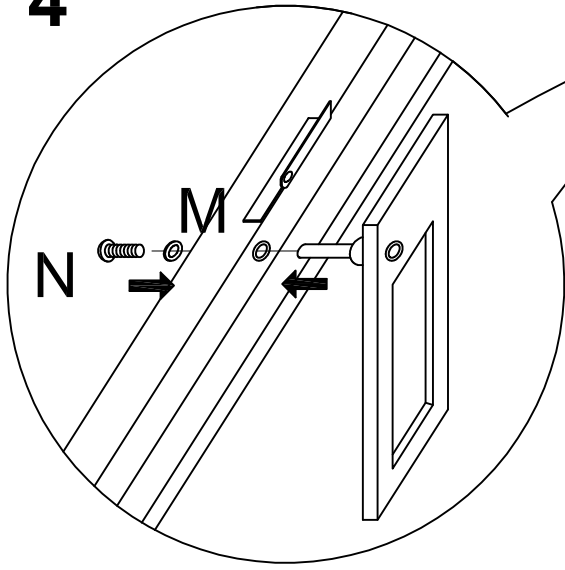


3

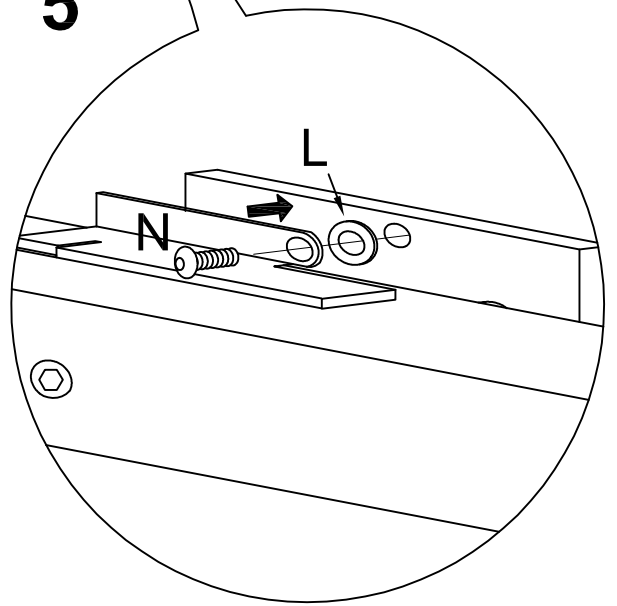




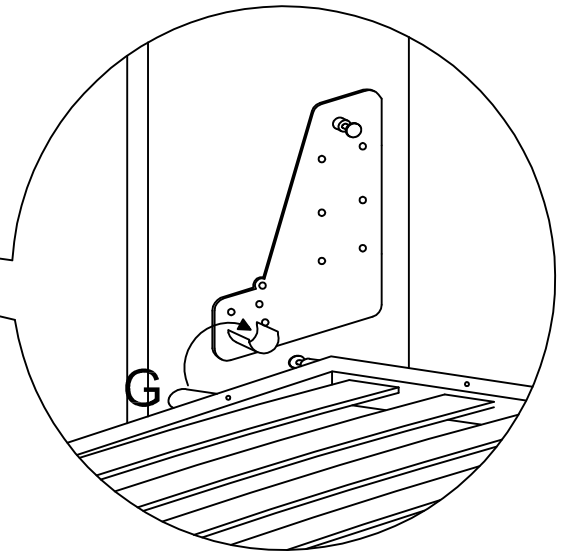
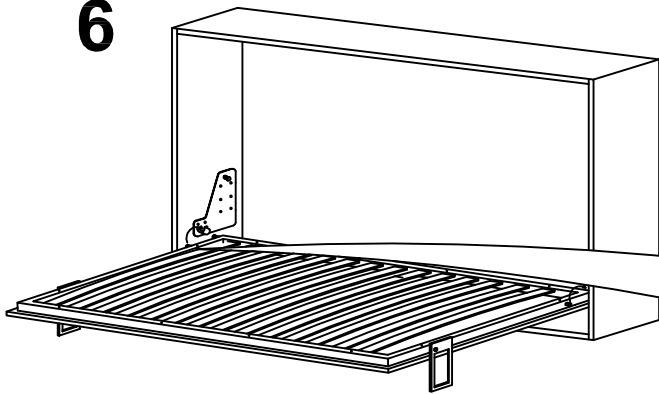
4



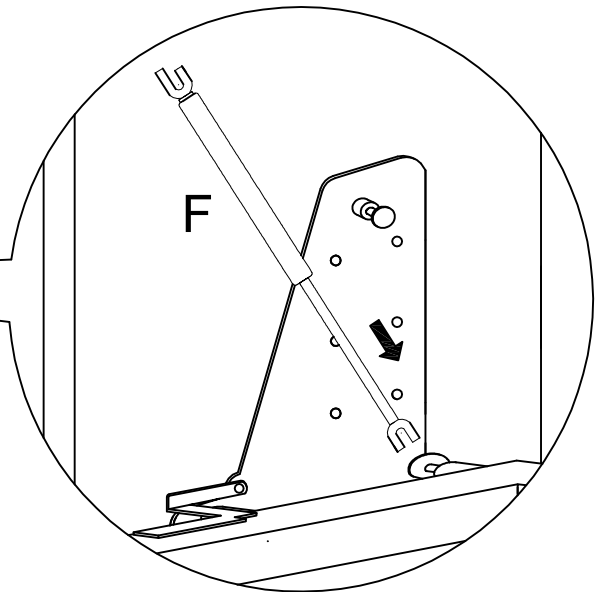
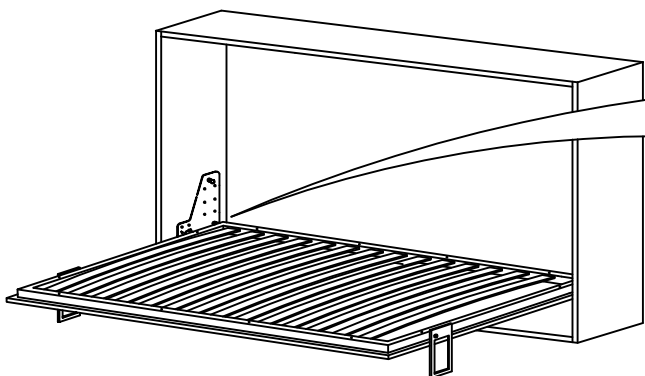
5



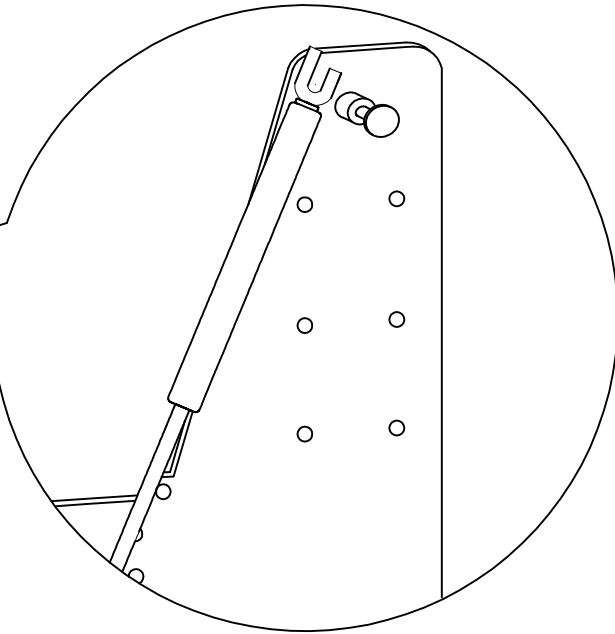
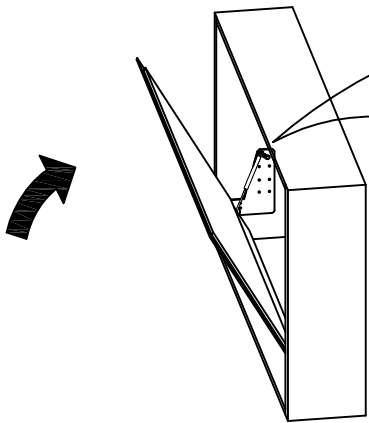
6



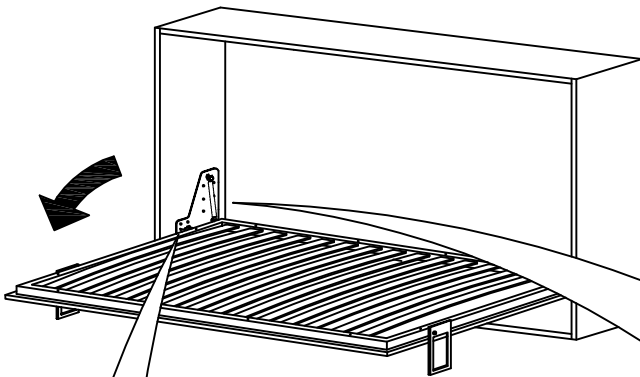
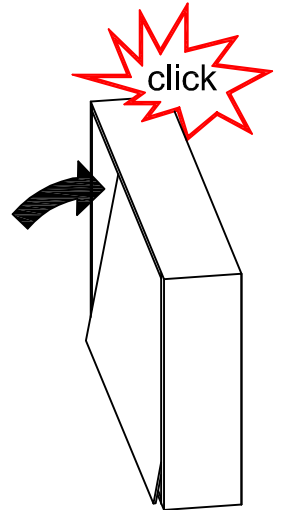
7



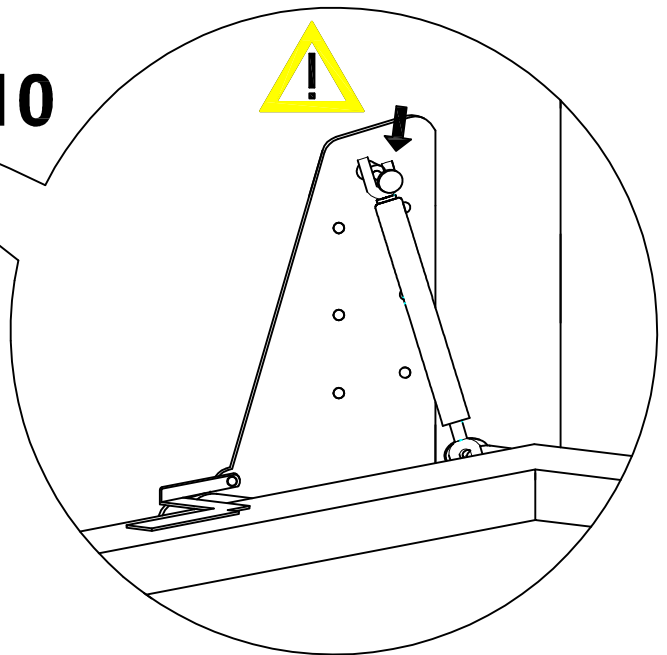
8



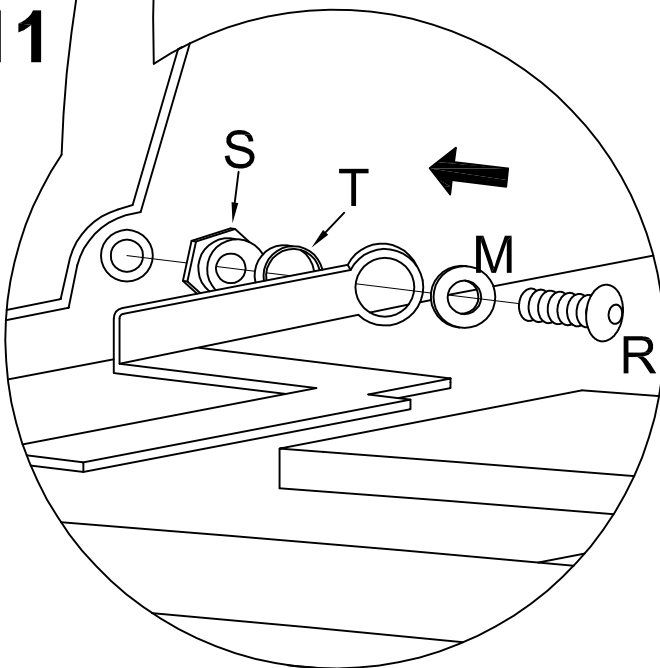
9



10



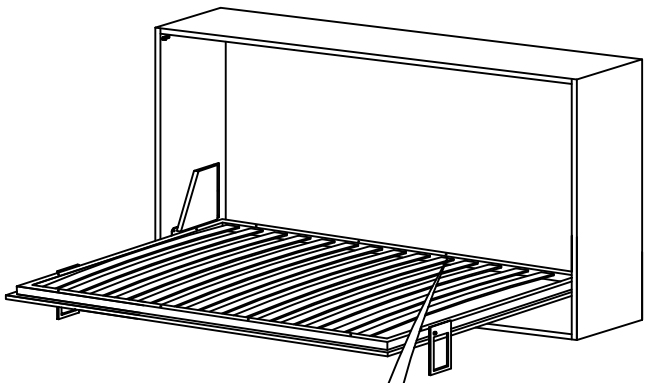
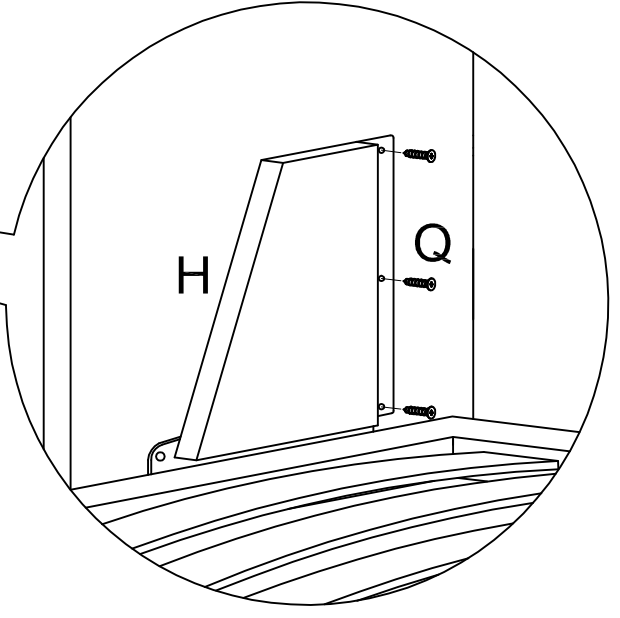
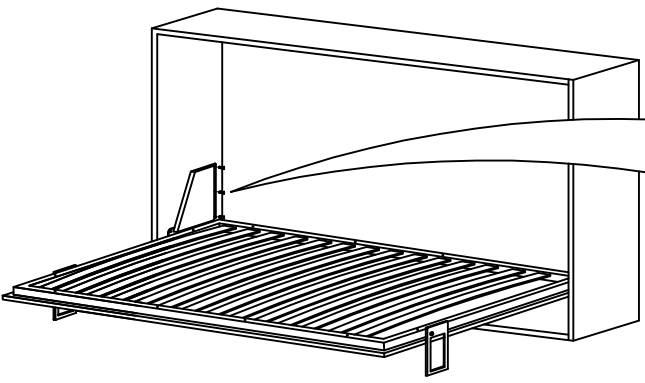
11



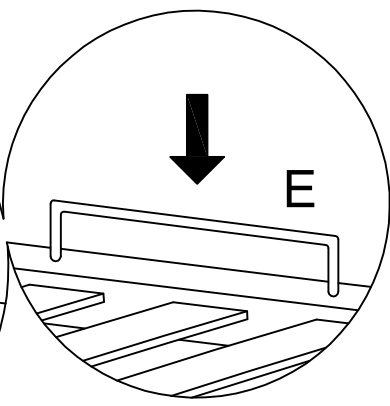
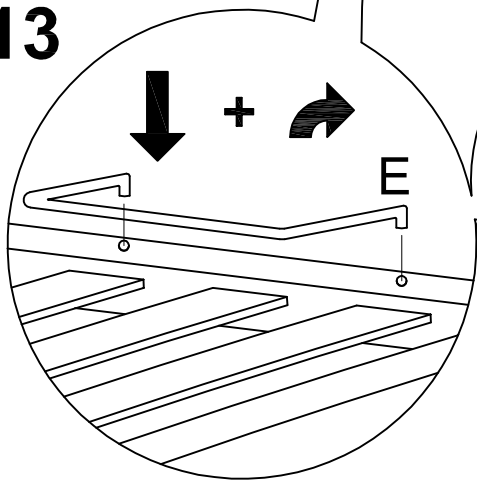
CORRETTA REGOLAZIONE  
 CORRECT ADJUSTMENT

- 1 APRIRE IL LETTO  
OPEN THE BED
- 2 APPOGGIARE I PIEDI A TERRA  
PUT THE FEET PARALLEL TO  
THE FLOOR
- 3 AVVITARE LA VITE (R)  
SET THE SCREW (R)

12



13



14

